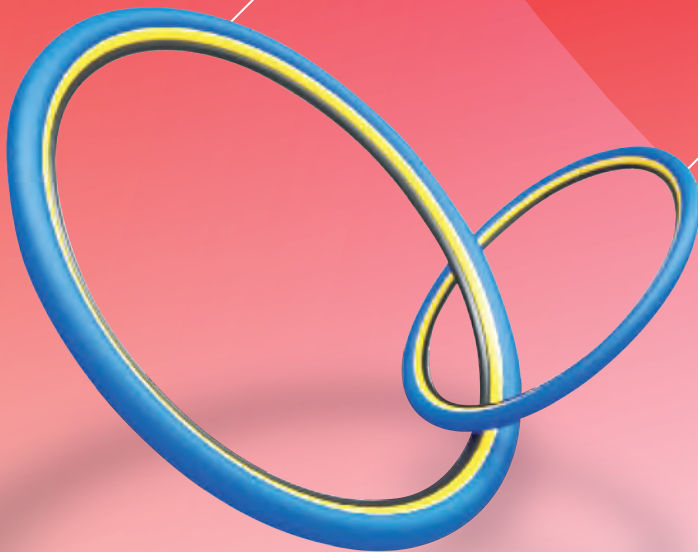


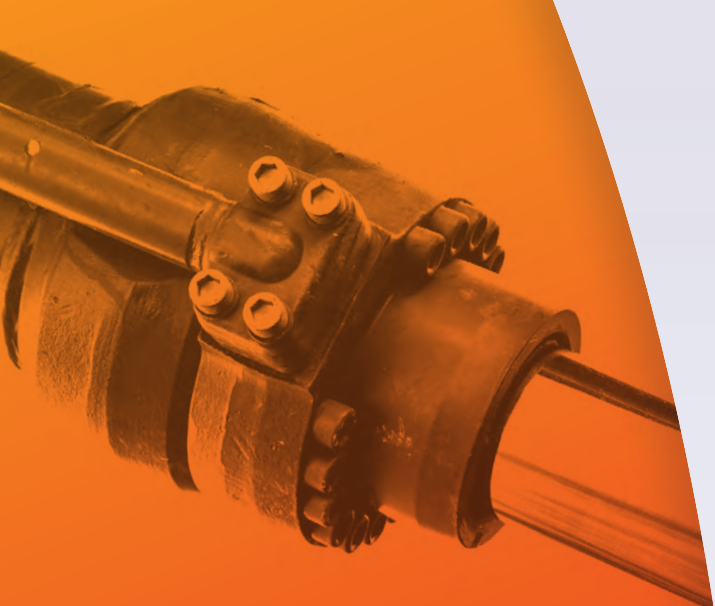
# KOREA HYDRAULIC SEALS

As technological  
advance accelerates,  
human values become  
more important.

• HYDRAULIC &  
PNEUMATIC SEALS

• SAFE QLT  
HIGHT QLT





# KHS is

Korea Hydraulic Seals

Our company establish by seal engineer KHS want be high quality for using and workable price

Our work members have pride with our 'KHS' brand name, we are working with our on brand Our brand of 'KHS' is our Heart

Seals important is raw material function.KHS is always know which seal working which part so which seal what function need it, KHS know it



## Factory view



Press molding





→ Laser marking machines



→ MOLD Department



→ Injection molding

# Polyurethane Heat-resistant Comparison Test

Temperature (°C)	"P" company USA	"K" company JAPAN	"N" company JAPAN	"N" company JAPAN	"N" company JAPAN FOR Breaker	"KHS-KOREA"
Ready						
180°C						
190°C	Surface Change		Surface Change			
200°C				Surface Change		
210°C					Surface Change	
220°C	LIP Destruction					
230°C	Body Destruction		LIP Destruction	LIP Destruction		Surface Change
240°C	Destruction	LIP Destruction	Destruction	Destruction	LIP Destruction	
250°C	Destruction	Destruction	Destruction	Destruction	Destruction	
260°C	Destruction	Destruction	Destruction	Destruction	Destruction	
270°C	Destruction	Destruction	Destruction	Destruction	Destruction	LIP Destruction



# CONTENTS

## PISTON SEAL

OSK	08
ODK	12
GRK	15
SPG	18
SPGW	20
OHK	22
OUI2	24
OUI3	25
OUI4	26
KUM	27
UKH	28

## ROD SEAL

IDK	30
ISK	35
MPX	38

## BUFFER SEAL

HBV	42
SRK	44
HBTY	46

## DUST SEAL

LBK	48
DSK	50
LPIY	53
DKBK	55
DWT	57
DWL	60
DWU	62
DWUK	64
LBHK	66

## PIN DUST SEAL

VAK	68
DLK	70

## BACKUP RING

BRT	73
-----	----

## WEAR RING

WRK	85
-----	----

## C/JOINT

LFT	86
ROI	87
MSJA	88

## O/RING

O/RING	89
--------	----

## OTHERS

OTHERS	99
--------	----



KOREA HYDRAULIC SEALS



# Part NO Size List

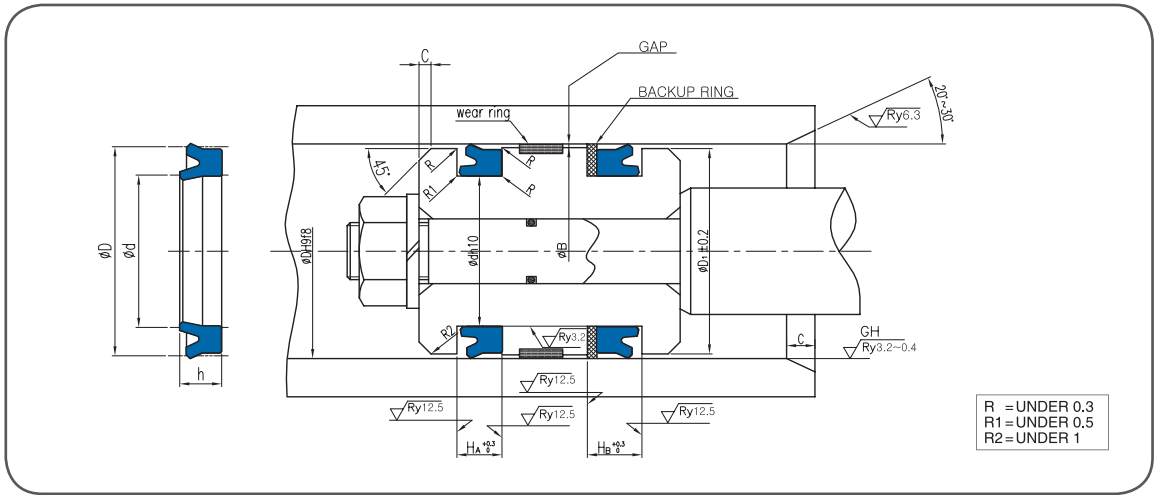


# OSK

### The limit of application

Pressure(MPa)	0~35
Temperature(°C)	-30~100
Speed(m/s)	0.03~0.05

OSK



Normal size of Packing			Housing Dimension					
D	d	h	ØD	Ød	ØD1	HA	Ha	C
16	8	5.7	16	8	15	6.7	8.7	2
18	8	7.5	18	8	17	8.5	10.5	
20	10	6	20	10	19	7	9	
	10	7.5	20	10	19	8.5	10.5	
25	10	8	20	10	19	9	11	
	15	6	25	15	24	7	9	
30	15	8	25	15	24	9	11	
	20	5	30	20	29	5.7	7.7	
33	20	6	30	20	29	7	9	
	20	8	30	20	29	9	11	
35	25	5.7	33	25	32	6.7	8.7	2.5
35	25	6	35	25	34	7	10	



Normal size of Packing			Housing Dimension					C
D	d	h	ØD	Ød	ØD1	HA	Ha	
35	25	8	35	25	34	9	11	2.5
	27	5	35	27	34	5.7	7.7	
40	25	9	40	25	39	10	13	
	25	10	40	25	39	11	14	
	30	6	40	30	39	7	10	
	30	8	40	30	39	9	12	
45	30	9	45	30	44	10	13	
	30	10	45	30	44	11	14	
	25	6	45	35	44	7	10	
	25	8	45	35	44	9	12	
50	35	9	50	35	49	10	13	
	35	10	50	35	49	11	14	
	40	6	50	40	49	7	10	
	40	7.3	50	40	49	8.3	11.3	
	40	8	50	40	49	9	12	
	40	9	50	40	49	10	13	
	40	9.5	50	40	49	10.5	13.5	
	40	10	50	40	49	11	14	
55	40	9	55	40	54	10	13	
	40	10	55	40	54	11	14	
	45	6	55	45	54	7	10	
	45	8	55	45	54	9	12	
60	45	9	60	45	59	10	13	
	45	10	60	45	59	11	14	
	50	6	60	50	59	7	10	
	50	8	60	50	59	9	12	
	50	9	60	50	59	10	13	
61	43	9	61	43	60	10	13	
63	48	9	63	48	62	10	13	
	48	10	63	48	62	11	14	
	53	6	63	53	62	7	10	
	53	8	63	53	62	9	12	
65	50	9	65	50	64	10	13	
	50	10	65	50	64	11	14	
	55	6	65	55	64	7	10	
	55	8	65	55	64	9	12	
70	55	9	70	55	69	10	13	
	55	10	70	55	69	11	14	
	60	6	70	60	69	7	10	
	60	8	70	60	69	9	12	
	60	10	70	60	69	11	14	
71	60	7	71	60	70	8	11	
	61	6	71	61	70	7	10	

Normal size of Packing			Housing Dimension					C
D	d	h	ØD	Ød	ØD1	HA	Ha	
71	61	8	71	61	70	9	12	2.5
73	63	6	73	63	72	7	10	
75	60	9	75	60	72	10	13	
	60	10	75	60	74	11	14	
	65	6	75	65	74	7	10	
	65	8	75	65	74	9	12	
80	65	9	80	65	79	10	13	
	65	10	80	65	79	11	14	
	70	6	80	70	79	7	10	
	70	8	80	70	79	9	12	
85	70	9	85	70	84	10	13	
	70	10	85	70	84	11	14	
	75	6	85	75	84	7	10	
	75	8	85	75	84	9	12	
90	75	9	90	75	89	10	13	
	75	10	90	75	89	11	14	
	80	6	90	80	89	7	10	
	80	8	90	80	89	9	12	
95	80	9	95	80	94	10	13	
	80	10	95	80	94	11	14	
100	85	9	100	85	98	10	13	
	85	10	100	85	98	11	14	
105	90	9	105	90	103	10	13	
110	95	9	110	95	108	10	13	
	95	10	110	95	108	11	14	
115	100	9	115	100	113	10	13	
	105	6	115	105	114	7	10	
120	105	9	120	105	118	10	13	
	105	10	120	105	118	11	14	
	106	8.5	120	106	118	9.5	12.5	
125	110	9	125	110	123	10	13	
	110	10	125	110	123	11	14	
	112	9	125	112	123	10	13	
130	115	9	130	115	123	10	13	
	115	10	130	115	128	11	14	
135	120	9	135	120	133	10	13	
140	125	9	140	125	138	10	13	
	125	10	140	125	138	11	14	
145	130	9	145	130	143	10	13	
150	135	9	150	135	148	10	13	
	135	10	150	135	148	11	14	
	136	8.5	150	136	148	9.5	12.5	
155	140	9	155	140	153	10	13	

2.5

4

Normal size of Packing			Housing Dimension					C
D	d	h	ØD	Ød	ØD1	HA	Ha	
160	145	9	160	145	158	10	13	4
	145	10	160	145	158	11	14	
165	150	9	165	150	163	10	13	
170	155	9	170	155	168	10	13	
	155	10	170	155	168	11	15	
175	160	9	175	160	173	10	13	
180	165	9	180	165	178	10	13	
	165	10	180	165	178	11	14	
183	168	9	183	168	181	10	13	
190	175	9	190	175	188	10	13	
	175	10	190	175	188	11	14	

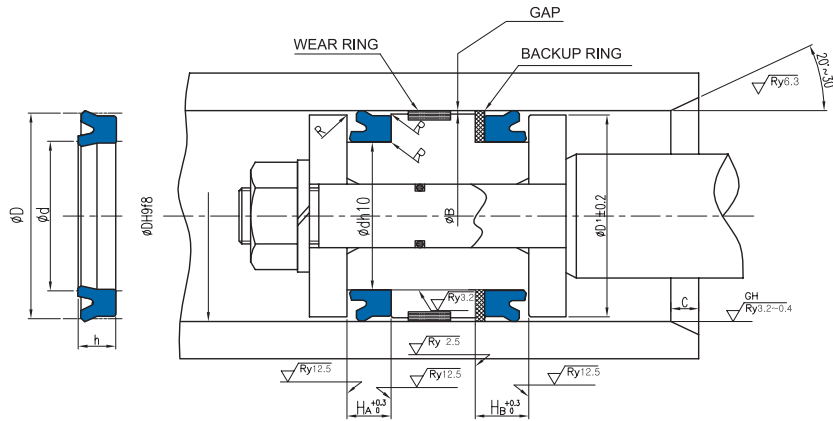


# ODK

### The limit of application

Pressure(MPa)	0~70
Temperature(°C)	-30~90
Speed(m/s)	0.03~0.05

ODK



Normal size of Packing			Housing Dimension					
D	d	h	ØD	Ød	ØD1	HA	Ha	C
60	40	12	60	40	59	13	16	5
70	50	12	70	50	69	13	16	
71	51	12	71	51	70	13	16	
73.13	47.57	15.7	72.13	47.57	72	16.7	19.7	
75	55	12	75	55	74	13	16	
80	47	16	80	47	79	17	20	
	60	12	80	60	79	13	16	
85	65	12	85	65	84	13	16	
90	70	12	90	70	89	13	16	
	70	15	90	70	89	16	19	
95	75	12	95	75	94	13	16	
	75	15	95	75	94	16	19	





Normal size of Packing			Housing Dimension					C
D	d	h	ØD	Ød	ØD1	HA	Ha	
100	75	18	100	75	98	19	22	5
	80	12	100	80	98	13	16	
	80	15	100	80	98	16	19	
105	85	12	105	85	103	13	16	
	85	15	105	85	103	16	19	
110	85	18	110	85	108	19	22	
	90	12	110	90	108	13	16	
	90	13	110	90	108	14	17	
	90	15	110	90	108	16	19	
115	95	12	115	95	113	13	16	
	95	15	115	95	113	16	19	
120	100	12	120	100	118	13	16	
	100	15	120	100	118	16	19	
125	105	12	125	105	123	13	16	
	105	15	125	105	123	16	19	
	105	16	125	105	123	17	20	
130	110	12	130	110	128	13	16	
	110	15	130	110	128	16	19	
135	115	12	135	115	133	13	16	
140	120	12	140	120	138	13	16	
	120	15	140	120	138	16	19	
	120	16	140	120	138	17	20	
145	125	12	145	125	143	13	16	
150	125	19	150	125	148	20	23	
	130	12	150	130	148	13	16	
	130	15	150	130	148	16	19	
	130	16	150	130	148	17	20	
160	130	19	160	130	158	20	23	
	135	19	160	135	158	20	23	
	135	20	160	135	158	21	24	
	140	12	160	140	158	13	16	
	140	16	160	140	158	17	20	
	145	19	160	145	158	20	23	
165	140	19	165	140	163	20	23	
	140	20	165	140	163	21	24	
170	145	19	170	145	168	20	23	
	145	20	170	145	168	21	24	
	150	12	170	150	168	13	16	
	150	16	170	150	168	17	20	
180	155	12	180	155	178	13	17	
	155	16	180	155	178	17	21	
	155	19	180	155	178	20	24	
	155	20	180	155	178	21	24	

5

6.5

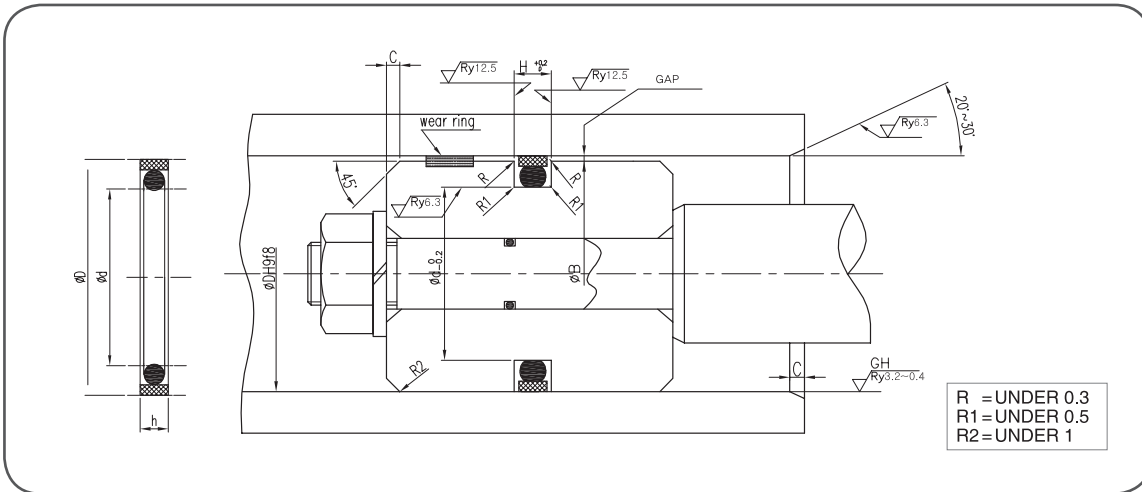
Normal size of Packing			Housing Dimension					C
D	d	h	ØD	Ød	ØD1	HA	Ha	
180	160	12	180	160	178	13	17	6.5
	160	16	180	160	178	17	21	
183	163	12	183	163	181	13	17	
190	165	16	190	165	188	17	21	
	165	19	190	165	188	20	24	
	170	12	190	170	188	13	17	
	170	16	190	170	188	17	21	
200	175	16	200	175	198	17	21	
	175	19	200	175	198	20	24	
	175	20	200	175	198	21	25	
	180	12	200	180	198	13	17	
	180	16	200	180	198	17	21	



# GRK

### The limit of application

Pressure(MPa)	0~35
Temperature(°C)	-35~100(NBR) -20~150(FKM)
Speed(m/s)	0.005~1.5



Normal size of Packing			Housing Dimension			
D	d	h	ØD	Ød	H	C
15	7.7	3	15	7.7	3.2	2
16	8.7		16	8.7		
18	10.7		18	10.7		
20	12.7		20	12.7		
22	14.7		22	14.7		
24	16.7		24	16.7		
25	17.7		25	17.7		
28	20.7		28	20.7		
30	22.7		30	22.7		
32	24.7		32	24.7		
35	27.7	3	35	27.7	3.5	3.5
38	30.7		38	30.7		

Normal size of Packing			Housing Dimension			
D	d	h	ØD	Ød	Ha	C
39	31.7	3	35	31.7	3.2	3.5
40	29.3	3.9	40	29.7	4.2	
42	31.3		42	31.3		
45	34.3		45	34.3		
48	37.3		48	37.3		
50	39.3		50	39.3		4
55	44.3	55	44.3			
60	49.3	60	49.3			
63	52.3	63	52.3			
65	54.3	65	54.3			
70	59.3	5.5	70	59.3	6.3	5
	54.9		70	54.9		
75	64.3	3.9	75	64.3	4.2	
	59.5	5.9	75	59.5	6.3	
80	64.9	5.9	80	64.9	6.3	
	59.5	7.6	80	59.5	8.1	
85	69.9	5.9	85	69.9	6.3	
	64.5	7.6	85	64.5	8.1	
90	74.9	5.9	90	74.9	6.3	
	69.5	7.6	90	69.5	8.1	
95	79.9	5.9	95	79.9	6.3	
	74.5	7.6	95	74.5	8.1	
100	84.9	5.9	100	84.9	6.3	
	79.5	7.6	100	79.5	8.1	
105	89.9	5.9	105	89.9	6.3	
	84.5	7.6	105	84.5	8.1	
110	94.9	5.9	110	94.9	6.3	
	89.5	7.6	110	89.5	8.1	
115	99.9	5.9	115	99.9	6.3	
	94.5	7.6	115	94.5	8.1	
120	104.9	5.9	120	104.9	6.3	
	99.5	7.6	120	99.5	8.1	
125	109.9	5.9	125	109.9	6.3	
	104.5	7.6	125	104.5	8.1	
130	114.9	5.9	130	114.9	6.3	
	109.5	7.6	130	109.5	8.1	6.5
135	114.5		135	114.5		
140	119.5		140	119.5		
145	124.5		145	124.5		
150	129.5		150	129.5		
155	134.5		155	134.5		
160	139.5		160	139.5		
165	144.5		165	144.5		



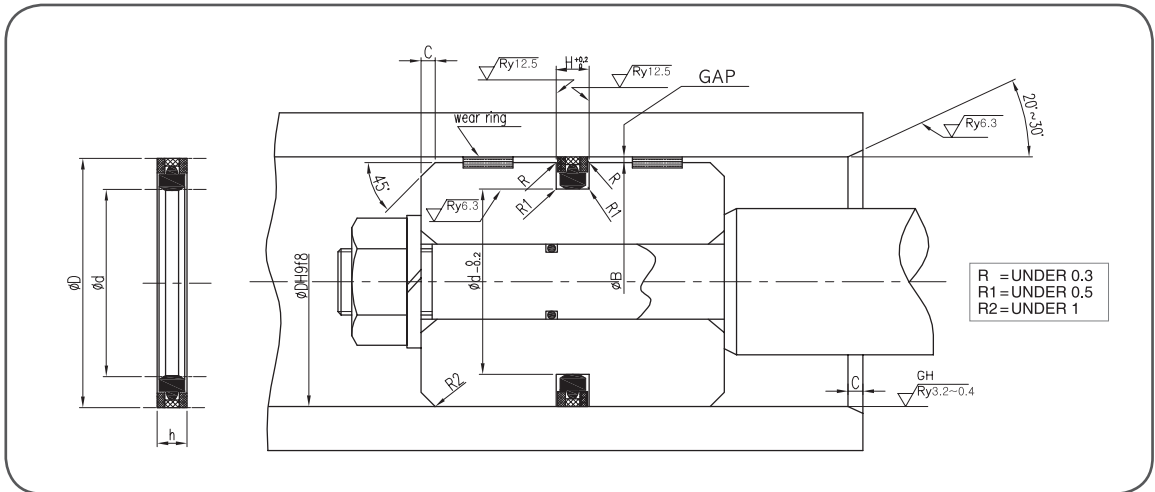
Normal size of Packing			Housing Dimension			
D	d	h	ØD	Ød	Ha	C
170	149.5	7.6	170	149.5	8.1	6.5
175	154.5		175	154.5		
180	159.5		180	159.5		
190	169.5		190	169.5		
200	179.5		200	179.5		



# SPG

### The limit of application

Pressure(MPa)	0~35
Temperature(°C)	-35~100(NBR) -20~150(FKM)
Speed(m/s)	0.005~1.5

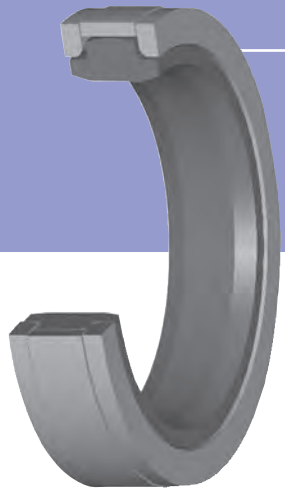


SPG

Normal size of Packing			Housing Dimension			
D	d	h	ØD	Ød	H	C
30	20.5	4.3	30	20.5	4.5	2
35	25.5		35	25.5		
40	30		40	30		
45	35		45	35		
50	40		50	40		
55	45	7.3	55	45	7.5	4
60	50		60	50		
63	48		63	48		
65	50		65	50		
70	55		70	55		
75	60	5	75	60	7.5	
80	65		80	65		



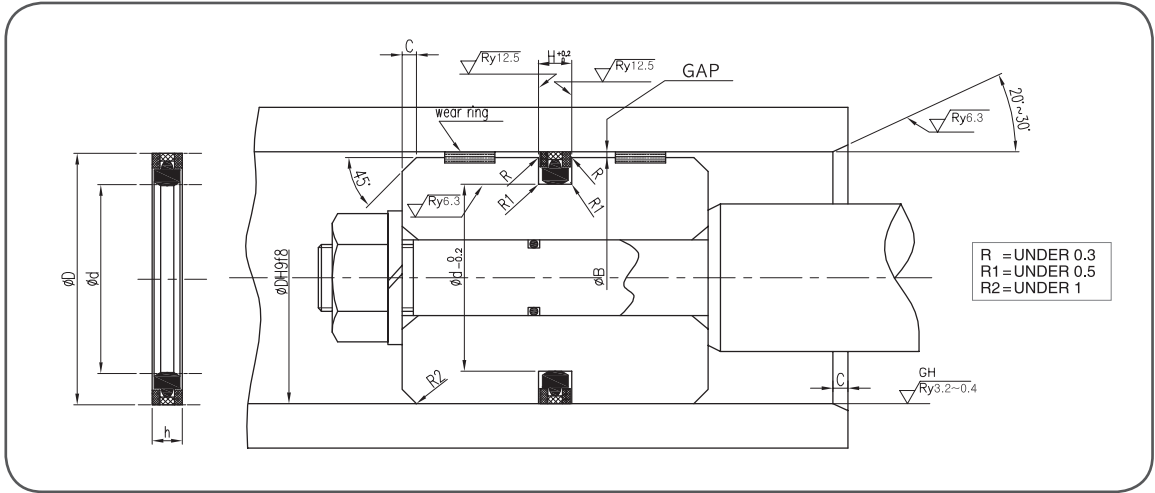
Normal size of Packing			Housing Dimension			
D	d	h	ØD	Ød	H	C
85	70	7.3	85	70	7.5	5
90	75		90	75		
95	80		95	80		
100	85		100	85		
110	94		110	94		
112	96		112	96		
115	99		115	99		6.5
120	104		120	104		
125	109		125	109		
130	114		130	114		
140	124		140	124		
150	134		150	134		
155	139		155	139		
160	144		160	144		
170	148	10.8	170	148	11	
180	158		180	158		
190	168		190	168		
200	178		200	178		
76.2	65.43	3.81	76.2	65.43	4.26	5
82.55	68.32	6.9	82.55	68.32	7.21	
88.90	73.25	5.71	88.9	73.25	6.35	
95.25	81.02	6.9	95.25	81.02	7.21	
101.60	85.95	5.71	101.6	85.95	6.35	
101.60	87.37	6.9	101.6	87.37	7.21	
107.95	93.72	6.9	107.95	93.72	7.21	
114.30	98.65	5.71	114.3	98.65	6.35	
114.30	110.07	6.9	114.3	110.07	7.21	
120.65	106.42	6.9	120.65	106.42	7.21	
127.00	107.69	9.35	127	107.69	9.62	
139.70	120.39	9.35	139.7	120.39	9.62	
139.70	125.52	7.75	139.7	125.52	7.92	
152.40	133.05	9.35	152.4	133.05	9.62	
165.10	145.74	9.35	165.1	145.74	9.62	



# SPGW

### The limit of application

Pressure(MPa)	0~50
Temperature(°C)	-35~100(NBR) -20~150(FKM)
Speed(m/s)	0.005~1.500



SPGW

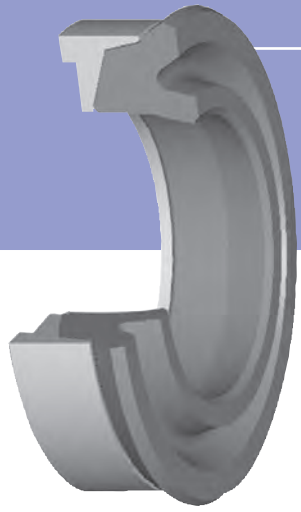
Normal size of Packing			Housing Dimension			
D	d	h	ØD	Ød	H	C
50	36	8.5	50	36	9	4
60	46		60	46		
63	48	10.5	63	48	11	5
65	50		65	50		
70	55		70	55		
75	60		75	60		
80	65		80	65		
85	70		85	70		
90	75		90	75		
95	80	12	95	80	12.5	
100	85		100	85		
105	90		105	90		



Normal size of Packing			Housing Dimension			
D	d	h	ØD	Ød	H	C
110	95	12	110	95	12.5	5
115	100		115	100		
120	105		120	105		
125	102	15.5	125	102	16	6.5
130	107		130	107		
135	112		135	112		
140	117		140	117		
145	122		145	122		
150	127		150	127		
155	132		155	132		
160	137		160	137		
165	142		165	142		
170	147		170	147		
180	157		180	157		
185	162		185	162		
190	167		190	167		
200	177		200	177		



SPGW

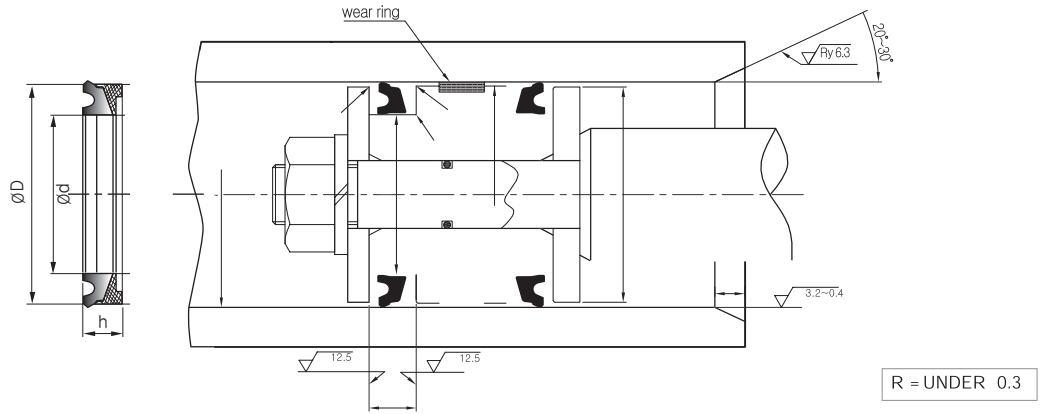


# OHK

### The limit of application

Pressure(MPa)	0~35
Temperature(°C)	-35~100(NBR) -20~150(FKM)
Speed(m/s)	0.03~0.05

OHK



Normal size of Packing			Housing Dimension			
D	d	h	ØD	Ød	Ha	C
40	22	12.1	40	22	13.1	4
50	32		50	32		
55	37		55	37		
60	42		60	42		
65	47		65	47		5
70	48		70	48		
80	58		80	58		
90	68		90	68		
100	78	14.5	100	78	15.5	6.5
110	88		110	88		
115	93		115	93		
120	98		120	98		

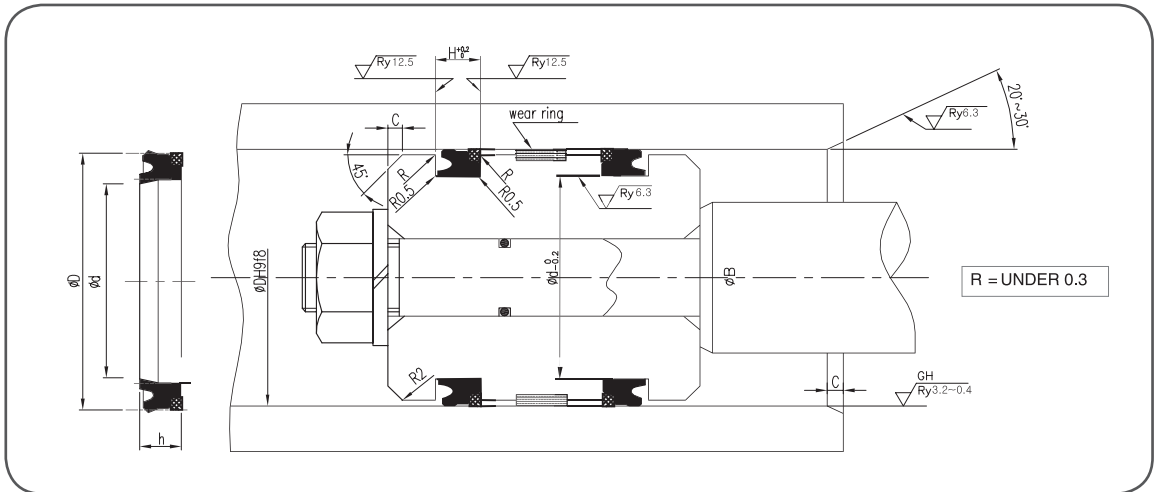
Normal size of Packing			Housing Dimension			
D	d	h	ØD	Ød	H	C
125	103	14.5	125	103	15.5	6.5
130	108		130	108		
140	118		140	118		
145	123		145	123		
150	128		150	128		
160	138		160	138		
170	143		170	143		
180	148		180	148		
185	158		185	158		
190	168		190	168		
200	178		200	178		



# OUY2

### The limit of application

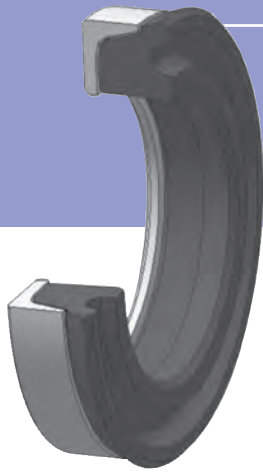
Pressure(MPa)	0~35
Temperature(°C)	-35~100(NBR)
Speed(m/s)	0.003~0.05



OUY2

Normal size of Packing			Housing Dimension			
D	d	h	ØD	Ød	H	C
40	25	12	40	25	13	4
50	35	12	50	35	13	
70	45	15.5	70	45	16.5	5
115	90	18	115	90	19	

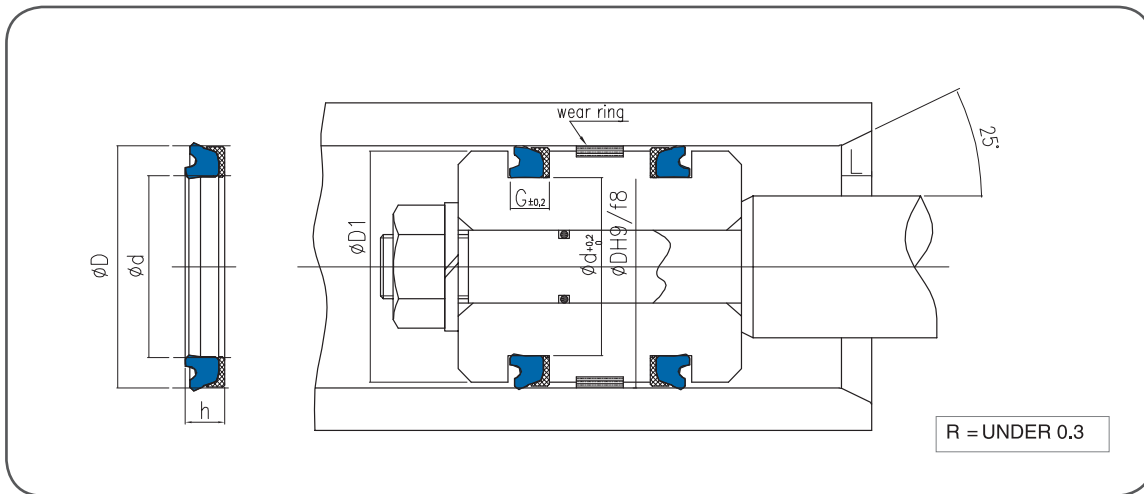




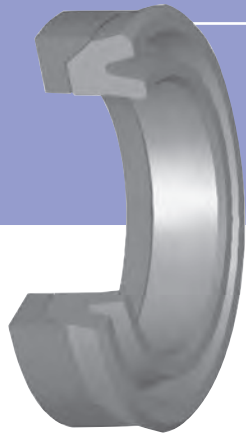
# OUY3

### The limit of application

Pressure(MPa)	0~40
Temperature(°C)	-30~100
Speed(m/s)	0.003~0.05



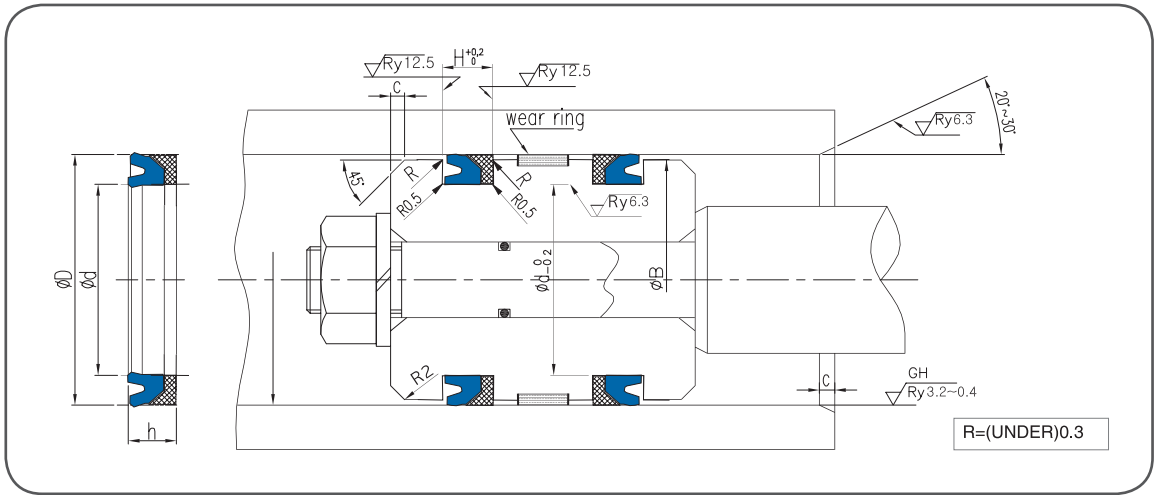
Normal size of Packing			Housing Dimension			
D	d	h	$\phi D$	$\phi d$	H	C
90	70	12	90	70	13	5
95	75		95	75		
100	80		100	80		
110	90		110	90		
120	100	14	120	100	15	6.5
130	110		130	110		
140	120		140	120		
160	140		160	140		
180	160	16	180	160	17	



# OUY4

### The limit of application

Pressure(MPa)	0~35
Temperature(°C)	-35~95
Speed(m/s)	0.003~0.05



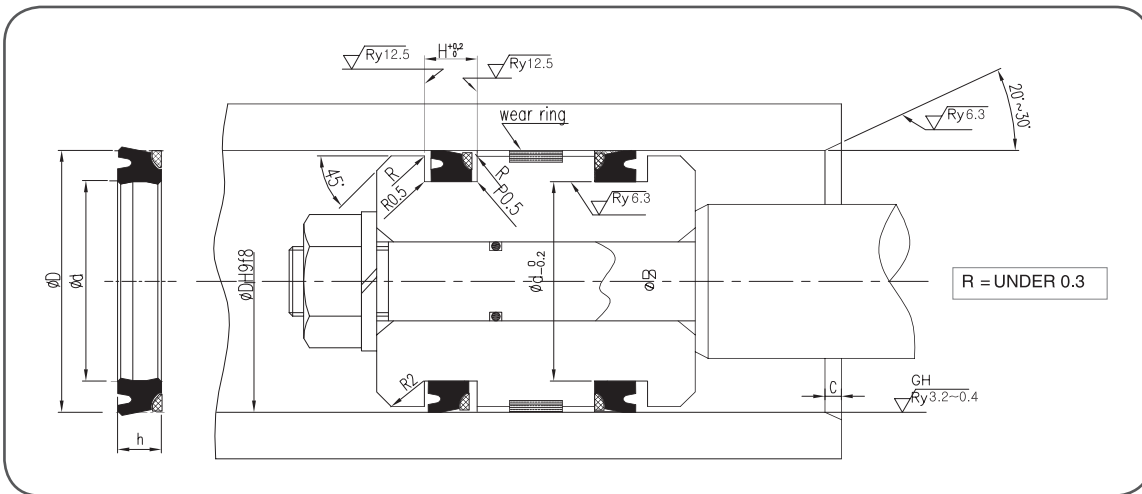
Normal size of Packing			Housing Dimension			
D	d	h	ØD	Ød	H	C
30	20	9	30	20	10	4
32	20	10	32	20	11	
33	20	10	33	20	13	
45	30	12	45	30		
60	45	12	60	45	5	
70	55	12	70	55		
85	70	12	85	70		



# KUM

### The limit of application

Pressure(MPa)	0~35
Temperature(°C)	-35~100
Speed(m/s)	0.03~0.50



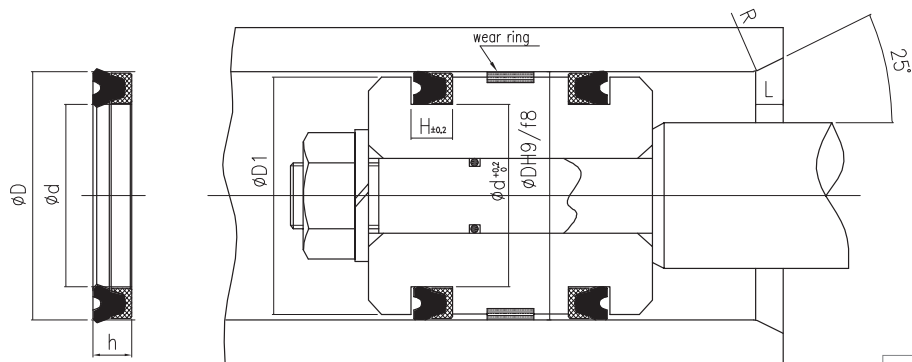
Normal size of Packing			Housing Dimension			
D	d	h	ØD	Ød	H	C
80	65	12	80	65	13	4
100	80		100	80		
100	80	14	100	80	15	
110	90	12	110	90	13	
120	100	14	120	100	15	5
130	110		130	110		
140	120		140	120		
150	130		150	130		



# UKH

### The limit of application

Pressure(MPa)	0~35
Temperature(°C)	-30~95
Speed(m/s)	0.03~0.5



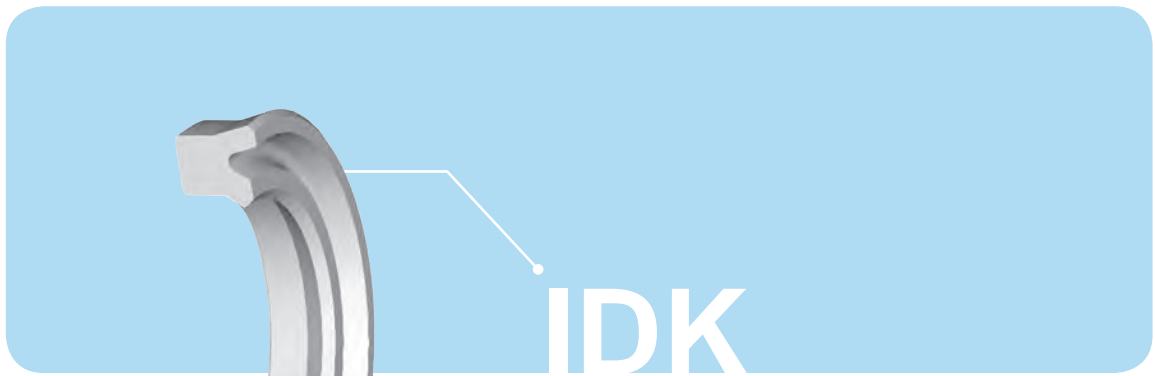
R = UNDER 0.3

UKH

Normal size of Packing			Housing Dimension			
D	d	h	$\phi D$	$\phi d$	H	C
35	25	8	35	25	9	4
45	30	9	45	30	10	
50	45		50	45		
55	40		55	40		
60	45		60	45		
65	50		65	50		
70	55	70	55			
75	40	11.5	75	40	12.5	5
	60	9	75	60	10	
80	80		65			
90	90		70			
95	75		12	95		

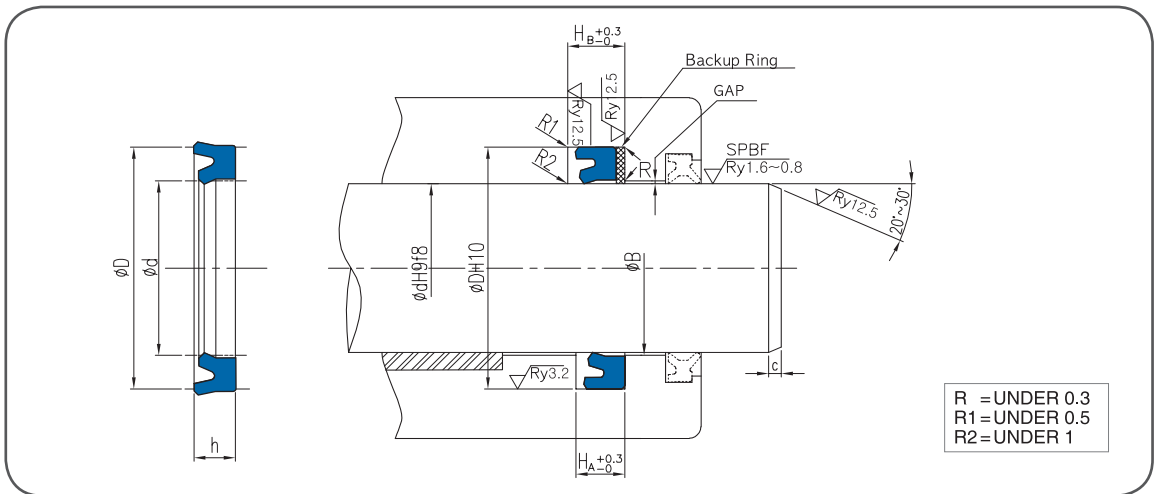
Normal size of Packing			Housing Dimension			
D	d	h	ØD	Ød	Ha	C
100	80	12	100	80	13	5
120	100		120	100		
130	110		130	110		
140	120		140	120		6.5
150	130		150	130		
160	140		160	140		
180	160	16	180	160	17	
200	180		200	180		





IDK

The limit of application	
Pressure(MPa)	0~35
Temperature(°C)	-30~100
Speed(m/s)	0.03~1.00



Normal size of Packing			Housing Dimension				C
d	D	h	$\phi d$	$\phi D$	$H_A$	$H_B$	
8	16	5.7	8	16	6.7	8.7	2
	18	6	8	18	7	9	
	18	7.5	8	18	8.5	10.5	
	18	8	8	18	9	11	
9	17	5	9	17	5.7	7.7	
	19	6	9	19	7	9	
	19	7.5	9	19	8.5	10.5	
	19	8	9	19	9	11	
10	18	5	10	18	5.7	7.7	
	20	6	10	20	7	9	
	20	7.5	10	20	8.5	10.5	
	20	8	10	20	9	11	



Normal size of Packing			Housing Dimension				C
d	D	h	Ød	ØD	H <sub>A</sub>	H <sub>B</sub>	
25	35	5	25	35	5.7	7.7	2.5
	35	6	25	35	7	9	
	35	8	25	35	9	11	
	38	8	25	38	9	11	
	38	10	25	38	11	13	
	40	9	25	40	10	12	
	40	10	25	40	11	13	
28	35.5	5	28	35.5	5.7	8.7	
	36	5	28	36	5.7	8.7	
	38	6	28	38	7	10	
	38	8	28	38	9	12	
	40	9	28	40	10	13	
	40	10	28	40	11	14	
	41	8	28	41	9	12	
	41	10	28	41	11	14	
	43	9	28	43	10	11	
29	43	10	28	43	11	14	
	35	5	29	35	5.7	8.7	
	37	6	30	37	7	10	
30	40	6	30	40	7	10	
	40	7	30	40	8	11	
	40	8	30	40	9	12	
	43	10	30	43	11	14	
	45	9	30	45	10	13	
	45	10	30	45	11	14	
	31.5	41.5	6	31.5	41.5	7	10
41.5		8	31.5	41.5	9	12	
44.5		8	31.5	44.5	9	12	
44.5		10	31.5	44.5	11	14	
46.5		9	31.5	46.5	10	13	
46.5		10	31.5	46.5	11	14	
32	40	6	32	40	7	10	
	42	6	32	42	7	10	
	42	7	32	42	8	11	
	47	10	32	47	11	14	
	48	10	32	48	11	14	
33	43	10	33	43	11	14	
35	42	7	35	42	8	11	
	45	6	35	45	7	10	
	45	7	35	45	8	11	
	45	8	35	45	9	12	
	50	9	35	50	10	13	
	50	10	35	50	11	14	

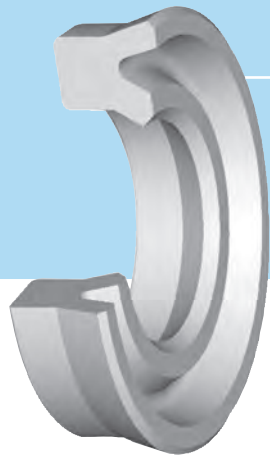


Normal size of Packing			Housing Dimension				
d	D	h	Ød	ØD	H <sub>A</sub>	H <sub>B</sub>	C
55	70	9	55	70	10	13	2.5
	70	10	55	70	11	14	
	71	10	55	71	11	14	
56	66	6	56	66	7	10	
	66	6.5	56	66	7.5	10.5	
	66	8	56	66	9	12	
	71	9	56	71	10	13	
	71	10	56	71	11	14	
57.15	69.85	9.52	57.15	69.85	10.52	13.52	
	73.03	9.52	57.15	73.03	10.52	13.52	
60	70	6	60	70	7	10	
	70	8	60	70	9	12	
	70	10	60	70	11	14	
	73	10	60	73	11	14	
	75	9	60	75	10	13	
	75	10	60	75	11	14	
	76	10	60	76	11	14	
60.32	73.03	9.52	60.32	73.03	10.52	13.52	
63	73	6	63	73	7	10	
	73	8	63	73	9	12	
	75	9	63	75	10	13	
	78	9	63	78	10	13	
	78	10	63	78	11	14	
	78	11.5	63	78	12.5	15.5	
63.5	76.2	9.52	63.5	76.2	10.52	13.52	
65	73	8	65	73	9	12	
	75	6	65	75	7	10	
	75	8	65	75	9	12	
	78	10	65	78	11	14	
	80	9	65	80	10	13	
	80	10	65	80	11	14	
	80	12	65	80	13	16	
67	77	6	67	77	7	10	
70	80	6	70	80	7	10	
	80	8	70	80	9	12	
	83	10	70	83	11	14	
	85	9	70	85	10	13	
	85	10	70	85	11	14	
	81	6	71	81	7	10	
71	81	8	71	81	9	12	
	87	9	72	87	10	13	
72	87	9	72	87	10	13	
75	85	6	75	85	7	10	
	85	8	75	85	9	12	

Normal size of Packing			Housing Dimension				C
d	D	h	Ød	ØD	H <sub>A</sub>	H <sub>B</sub>	
75	88	10	75	88	11	14	2.5
	90	9	75	90	10	13	
	90	10	75	90	11	14	
76	88	6	76	88	7	10	
76.2	88.9	9.52	76.2	88.9	10.52	13.52	
	92.07	9.52	76.2	92.07	10.52	13.52	
77	92	9	77	92	10	13	
80	90	6	80	90	7	10	
	90	8	80	90	9	12	
	93	9	80	93	10	13	
	93	10	80	93	11	14	
	95	9	80	95	10	13	
	95	10	80	95	11	14	
82.55	95.25	9.52	82.55	95.25	10.52	13.52	
85	100	9	85	100	10	13	
	100	10	85	100	11	14	
85.72	95.25	9.52	85.72	95.25	10.52	13.52	
88.9	101.6	9.52	88.9	101.6	10.52	13.52	
90	100	6	90	100	7	10	
	105	9	90	105	10	13	
	105	10	90	105	11	14	
95	110	9	95	110	10	13	
	110	10	95	110	11	14	
97	112	9	97	112	10	13	
98	112	8.5	98	112	9.5	12.5	
	113	9	98	113	10	13	
100	110	6	100	110	7	10	
	115	9	100	115	10	13	
	115	10	100	115	11	14	
105	120	9	105	120	10	13	
	120	10	105	120	11	14	
110	125	9	110	125	10	13	
	125	10	110	125	11	14	
112	125	9	112	125	10	13	
115	130	9	115	130	10	13	
	130	10	115	130	11	14	
118	133	9	118	133	10	13	
	133	10	118	133	11	14	
120	135	9	120	135	10	13	
	135	10	120	135	11	14	
125	140	9	125	140	10	13	
	140	10	125	140	11	14	
130	145	9	130	145	10	13	

4

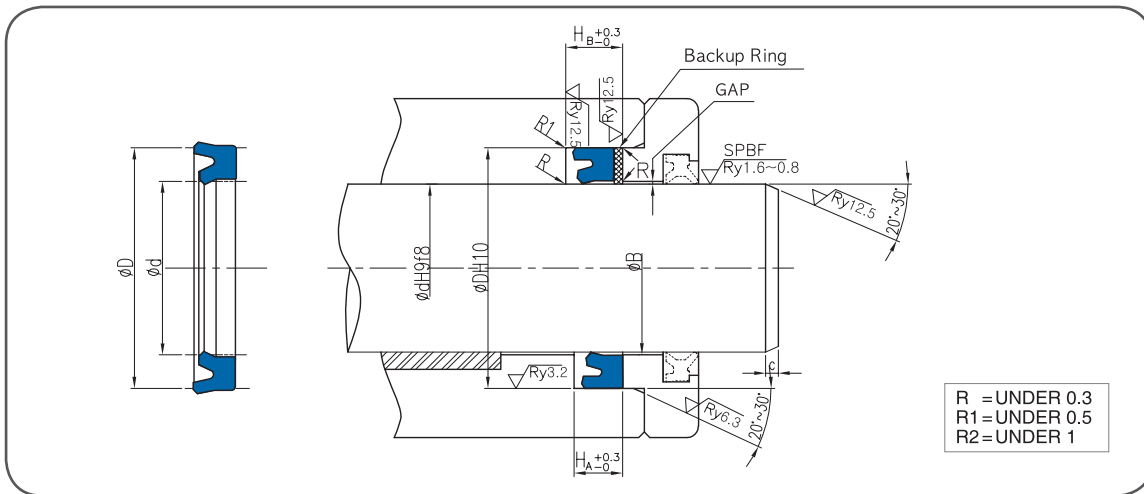
Normal size of Packing			Housing Dimension				C
d	D	h	Ød	ØD	H <sub>A</sub>	H <sub>B</sub>	
130	145	10	130	145	11	14	4
135	150	9	135	150	10	13	
136	150	8.5	136	150	9.5	12.5	
140	150	6	140	150	7	10	
	150	7	140	150	8	11	
	155	9	140	155	10	13	
	155	10	140	155	11	14	
145	160	9	145	160	10	13	
150	165	9	150	165	10	13	
	165	10	150	165	11	14	
155	170	9	155	170	10	14	
156	171	10	156	171	11	15	
160	175	9	160	175	10	14	
	175	10	160	175	11	15	
165	180	9	165	180	10	14	
170	185	9	170	185	10	14	
	185	10	170	185	11	15	
175	190	9	175	190	10	14	



# ISK

### The limit of application

Pressure(MPa)	0~35
Temperature(°C)	-30~100
Speed(m/s)	0.03~1.00



ISK

Normal size of Packing			Housing Dimension				C
d	D	h	Ød	ØD	HA	HB	
34	50	12	34	50	13	16	4
35	50	12	35	50	13	16	
40	60	12	40	60	13	16	
45	65	12	45	65	13	16	
50	66	12	50	66	13	16	
	70	9	50	70	10	16	
	70	12	50	70	13	16	
55	71	12	55	71	13	16	
	75	12	55	75	13	16	
60	75	12	60	75	13	16	
	76	12	60	76	13	16	
	80	12	60	80	13	16	

Normal size of Packing			Housing Dimension				
d	D	h	Ød	ØD	H <sub>A</sub>	H <sub>B</sub>	C
63	83	12	63	83	13	16	5
65	85	10	65	85	11	14	
	85	12	65	85	13	16	
70	90	12	70	90	13	16	
	90	15	70	90	16	19	
75	95	12	75	95	13	16	
	95	15	75	95	16	19	
80	100	12	80	100	13	16	
	100	15	80	100	16	19	
85	105	12	85	105	13	16	
	105	15	85	105	16	19	
89	105	12.7	89	105	13.7	16.7	
90	110	10	90	110	11	14	
	110	12	90	110	13	16	
	110	13	90	110	14	17	
	110	15	90	110	16	19	
95	115	12	95	115	13	16	
	115	15	95	115	16	19	
100	120	12	100	120	13	16	
	120	15	100	120	16	19	
105	125	12	105	125	13	16	
	125	15	105	125	16	19	
	125	16	105	125	17	20	
110	130	10	110	130	11	14	
	130	12	110	130	13	16	
	130	13	110	130	14	17	
	130	15	110	130	16	19	
	130	16	110	130	17	20	
112	132	15	112	132	16	19	
	132	16	112	132	17	20	
115	135	12	115	135	13	16	
	135	16	115	135	17	20	
120	140	10	120	140	11	14	
	140	12	120	140	13	16	
	140	15	120	140	16	19	
	140	16	120	140	17	20	
125	145	12	125	145	13	16	
	145	16	125	145	17	20	
	150	19	125	150	20	23	
	150	20	125	150	21	24	
120	147	16	127	147	17	20	
130	150	12	130	150	13	16	
	150	16	130	150	17	20	

5

6.5

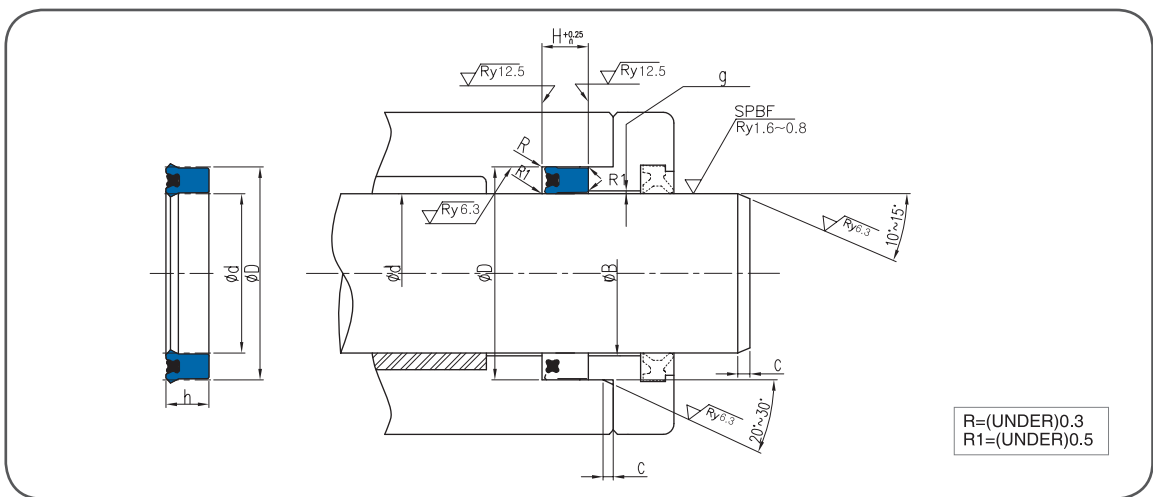
Normal size of Packing			Housing Dimension				C
d	D	h	Ød	ØD	H <sub>A</sub>	H <sub>B</sub>	
135	160	19	135	160	20	23	6.5
	160	20	135	160	21	24	
140	160	12	140	160	13	16	
	160	13	140	160	14	17	
	165	12	140	165	13	16	
	165	19	140	165	20	23	
	165	20	140	165	21	24	
145	170	19	145	170	20	23	
	170	20	145	170	21	24	
150	170	12	150	170	13	16	
	170	16	150	170	17	20	
	175	26	150	175	17	20	
	175	20	150	175	21	24	
155	180	19	155	180	20	24	
	180	20	155	180	21	25	
160	180	12	160	180	13	17	
	180	16	160	180	17	21	
	180	16	160	180	17	21	
	185	19	160	185	20	24	
	185	20	160	185	21	25	
170	190	12	170	190	13	17	
	190	16	170	190	17	21	
	195	16	170	195	17	21	
	195	20	170	195	21	25	
175	200	12	175	200	13	17	
	200	19	175	200	20	24	
	200	20	175	200	21	25	
180	200	12	180	200	13	17	
	200	16	180	200	17	21	
	205	16	180	205	17	21	
	205	19	180	205	20	24	
	205	20	180	205	21	25	
190	210	12	190	210	13	17	
	215	16	190	215	17	21	
	215	20	190	215	21	25	
200	220	12	200	220	13	17	
	220	16	200	220	17	21	
	225	16	200	225	17	21	
	225	19	200	225	20	24	
	225	20	200	225	21	25	



# MPX

### The limit of application

Pressure(MPa)	0~35
Temperature(°C)	-30~95
Speed(m/s)	0.03~0.50



Normal size of Packing			Housing Dimension				
d	D	h	$\phi d$	$\phi D$	$H_A$	$H_B$	C
40	50	6	40	50	7	10	4
	50	8	40	50	9	12	
	55	9	40	55	10	13	
	55	10	40	55	11	14	
	56	10	40	56	11	14	
	56	12	40	56	13	16	
45	55	6	45	55	7	10	
	55	8	45	55	9	12	
	60	9	45	60	10	13	
	60	10	45	60	11	14	
	61	10	45	61	11	14	
	61	12	45	61	13	16	





Normal size of Packing			Housing Dimension				C
d	D	h	Ød	ØD	H <sub>A</sub>	H <sub>B</sub>	
50	60	6	50	60	7	10	5
	60	8	50	60	9	12	
	65	9	50	65	10	13	
	65	10	50	65	11	14	
	66	10	50	66	11	14	
	66	12	50	66	13	16	
	70	12	50	70	13	16	
55	65	6	55	65	7	10	
	65	8	55	65	9	12	
	65	9	55	65	10	13	
	68	10	55	68	11	14	
	70	9	55	70	10	13	
	70	10	55	70	11	14	
	71	10	55	71	11	14	
	71	12	55	71	13	16	
60	75	12	60	75	13	10	
	70	6	60	70	7	10	
	70	8	60	70	9	12	
	73	10	60	73	11	14	
	75	9	60	75	10	13	
	75	10	60	75	11	14	
	76	10	60	76	11	14	
	76	12	60	76	13	16	
65	80	12	60	80	13	16	
	75	6	65	75	7	10	
	75	8	65	75	9	12	
	78	10	65	78	11	14	
	80	9	65	80	10	13	
	80	10	65	80	11	14	
70	85	16	65	85	13	16	
	80	6	70	80	7	10	
	80	8	70	80	9	12	
	83	10	70	83	11	14	
	85	9	70	85	10	13	
	85	10	70	85	11	14	
	90	12	70	90	13	16	
75	90	15	70	90	16	19	
	85	6	75	85	7	10	
	85	8	75	85	9	12	
	88	10	75	88	11	14	
	90	9	75	90	10	13	
	90	10	75	90	13	14	
75	95	12	75	95	11	16	

5

6.5

Normal size of Packing			Housing Dimension				
d	D	h	Ød	ØD	H <sub>A</sub>	H <sub>B</sub>	C
80	90	6	80	90	7	10	5
	90	8	80	90	9	12	
	93	10	80	93	11	14	
	95	9	80	95	10	13	
	95	10	80	95	11	14	
	100	12	80	100	13	16	
85	95	6	85	95	7	9	
	100	9	85	100	10	12	
	100	10	85	100	11	13	
	100	12	85	100	13	15	
	105	12	85	105	13	15	
90	100	6	90	100	7	9	
	105	9	90	105	10	12	
	105	10	90	105	11	13	
	105	12	90	105	13	15	
	110	10	90	110	11	13	
	110	12	90	110	13	15	
95	110	9	95	110	10	13	
	110	10	95	110	11	14	
	110	12	95	110	13	16	
	115	12	95	115	13	16	
100	115	9	100	115	10	13	
	115	10	100	115	11	14	
	115	12	100	115	13	16	
	120	12	100	120	13	16	
105	120	9	105	120	10	13	
	120	10	105	120	11	14	
	120	10	105	120	11	14	
	125	12	105	125	13	16	
	125	15	105	125	16	19	
110	125	9	110	125	10	13	
	125	10	110	125	11	14	
	130	10	110	130	11	14	
	130	12	110	130	13	16	
115	130	9	115	130	10	13	
	130	10	115	130	11	14	
	135	12	115	135	13	16	
	135	16	115	135	17	20	
120	135	9	120	135	10	13	
	135	10	120	135	11	14	
	140	10	120	140	11	14	
	140	12	120	140	13	16	
	140	15	120	140	16	19	

Normal size of Packing			Housing Dimension				
d	D	h	Ød	ØD	H <sub>A</sub>	H <sub>B</sub>	C
120	140	16	120	140	17	20	6.5
125	140	9	125	140	10	13	
	140	10	125	140	11	14	
	145	12	125	145	13	16	
	145	16	125	145	17	20	
130	145	9	130	145	10	13	
	145	10	130	145	11	14	
	150	12	130	150	13	16	
	150	16	130	150	17	20	
140	155	9	140	155	10	13	
	155	10	140	155	11	14	
	160	12	140	160	13	16	
	160	16	140	160	17	20	
150	165	9	150	165	10	13	
	165	10	150	165	11	14	
	170	12	150	170	13	16	
	170	16	150	170	17	20	

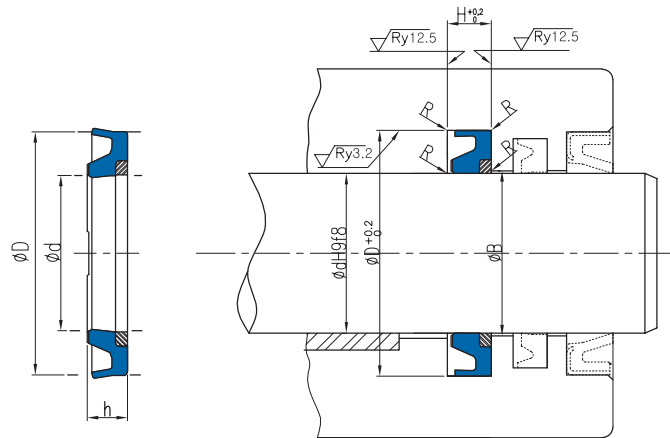


# HB Y

### The limit of application

Pressure(MPa)	0~35
Temperature(°C)	-30~95
Speed(m/s)	0.03~1.0

HB Y



R = UNDER 0.3

Normal size of Packing			Housing Dimension		
D	d	h	$\phi D$	$\phi d$	H
40	55.5	6	40	55.5	6.3
45	60.5		45	60.5	
50	65.5		50	65.5	
55	70.5		55	70.5	
56	71.5		56	71.5	
60	75.5		60	75.5	
63	78.5		63	78.5	
65	80.5		65	80.5	
70	85.5		70	85.5	
75	90.5		75	90.5	
80	95.5		80	95.5	
85	100.5		85	100.5	

Normal size of Packing			Housing Dimension		
D	d	h	ØD	Ød	H
90	105.5	6	90	105.5	6.3
95	110.5		95	110.5	
100	115.5		100	115.5	
105	120.5		105	120.5	
110	125.5		110	125.5	
115	130.5		115	130.5	
120	130	5.2	120	130	5.5
120	135.5	6	120	135.5	6.3
125	140.5		125	140.5	
130	145.5		130	145.5	
135	150.5		135	150.5	
140	155.5		140	155.5	
145	160.5		145	160.5	
150	165.5		150	165.5	
155	170.5		155	170.5	
160	175.5		160	175.5	
170	185.5		170	185.5	

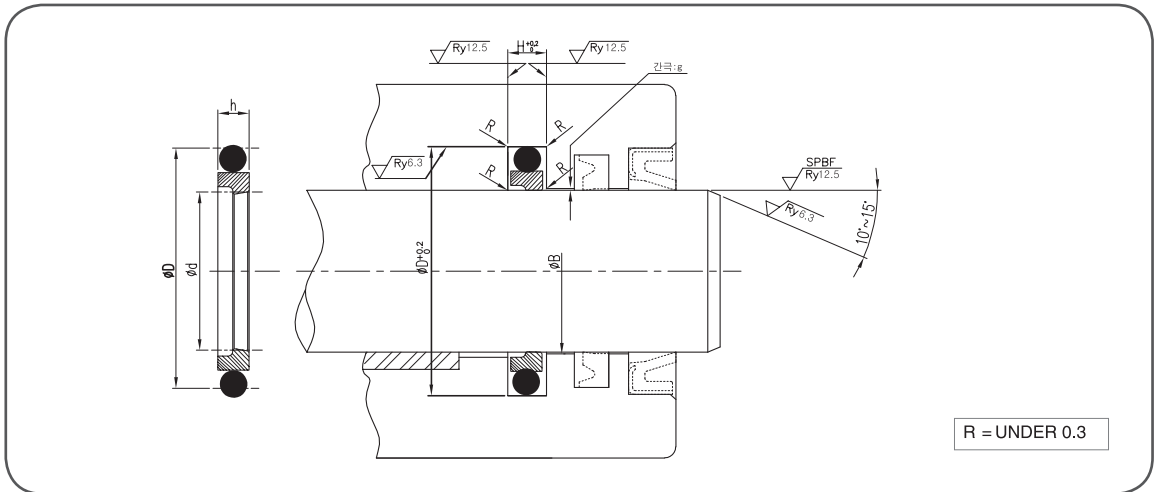




# SRK

### The limit of application

Pressure(MPa)	0~35
Temperature(°C)	-30~95(NBR) -20~150(FKM)
Speed(m/s)	0.005~1.5

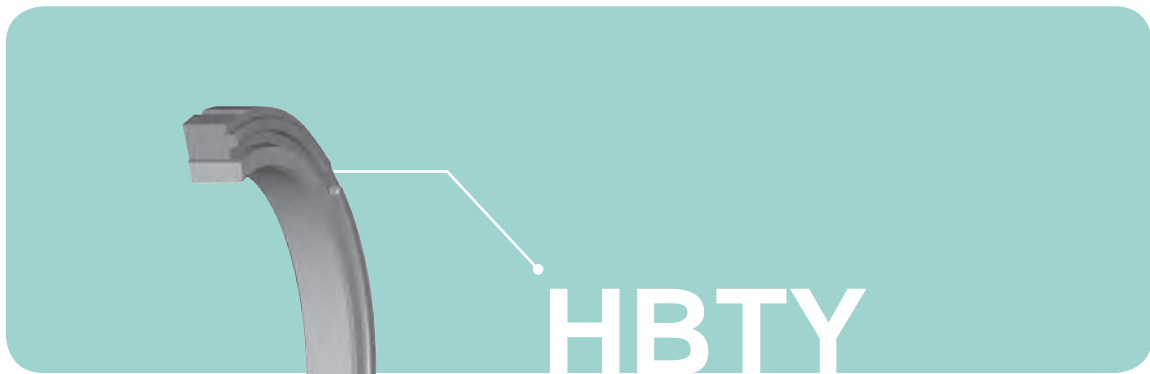


Normal size of Packing			Housing Dimension		
D	d	h	ØD	Ød	H
20	30.7	3.9	20	30.7	4.2
22	32.7		22	32.7	
25	35.7		25	35.7	
30	40.7		30	40.7	
32	42.7		32	42.7	
35	45.7		35	45.7	
38	48.7		38	48.7	
40	50.7		40	50.7	
45	55.7		45	55.7	
50	60.7		50	60.7	
56	66.7		56	66.7	
60	70.7		60	70.7	



Normal size of Packing			Housing Dimension		
D	d	h	ØD	Ød	H
35	50.1	5.9	35	50.5	6.3
40	55.1		40	55.5	
50	65.1		50	65.5	
55	70.1		55	70.5	
56	71.1		56	71.5	
60	75.1		60	75.5	
63	78.1		63	78.5	
65	80.1		65	80.5	
70	85.1		70	85.5	
75	90.1		75	90.5	
80	95.1		80	95.5	
85	100.1		85	100.5	
90	105.1		90	105.5	
95	110.1		95	110.5	
100	115.1		100	115.5	
105	120.1		105	120.5	
110	125.1		110	125.5	
115	130.1		115	130.5	
117	133.1		117	133.5	
120	135.1		120	135.5	
121	136.1		121	136.5	
125	140.1		125	140.5	
130	145.1		130	145.5	
135	150.1		135	150.5	
136	151.1		136	151.5	
138	153.1		138	153.5	
140	155.1		140	155.5	
145	160.1		145	160.5	
150	165.1		150	165.5	
155	170.1		155	170.5	
157	172.1		157	172.5	
160	175.1		160	175.5	
165	180.1		165	180.5	
170	185.1	170	185.5		
175	190.1	175	190.5		
176	191.1	176	191.5		
177	193.1	177	193.5		
180	195.1	180	195.5		
190	205.1	190	205.5		

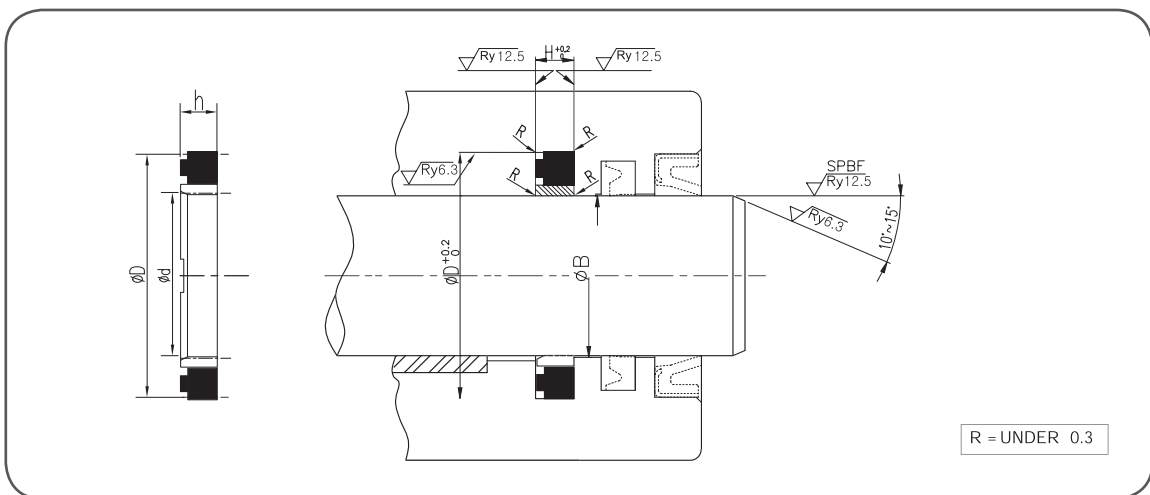




# HBTY



The limit of application	
Pressure(MPa)	0~35
Temperature(°C)	-35~100
Speed(m/s)	0.005~1.5



Normal size of Packing			Housing Dimension		
D	d	h	ØD	Ød	H
40	55.5	5.9	40	55.5	6.3
45	60.5		45	60.5	
50	65.5		50	65.5	
55	70.5		55	70.5	
60	75.5		60	75.5	
65	80.5		65	80.5	
70	85.5		70	85.5	
75	90.5		75	90.5	
80	95.5		80	95.5	
85	100.5		85	100.5	
90	105.5		90	105.5	
95	110.5		95	110.5	

Normal size of Packing			Housing Dimension		
D	d	h	ØD	Ød	H
100	115.5	5.9	100	115.5	6.3
105	120.5		105	120.5	
110	125.5		110	125.5	
115	130.5		115	130.5	
120	135.5		120	135.5	
125	140.5		125	140.5	
130	145.5		130	145.5	
135	150.5		135	150.5	
140	155.5		140	155.5	
145	160.5		145	160.5	
150	165.5		150	165.5	



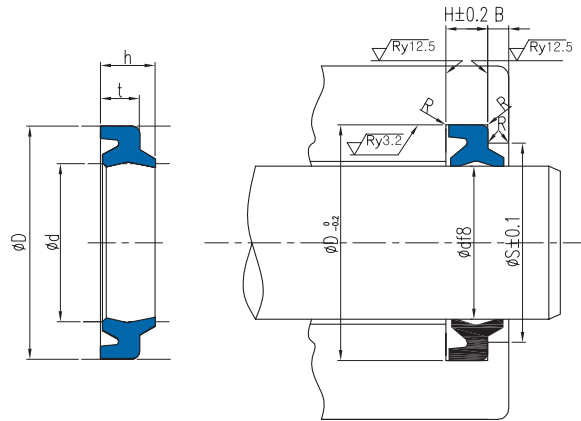


# LBK

### The limit of application

Temperature(°C)	-30~95
Speed(m/s)	0.03~1.0

LBK



R = UNDER 0.3

Normal size of Packing				Housing Dimension				
d	D	t	h	ød	øD	øS	H	B
16	24	4.5	6	16	24	20.3	5	2
18	26			18	26	22.3		
20	25			20	25	21.3		
20	28			20	28	24.3		
22	30			22	30	26.3		
22.4	30.4			22.4	30.4	26.7		
25	33			25	33	29.3		
28	36			28	36	32.3		
30	38	5	6.5	30	38	34	6	
31.5	39.5			31.5	39.5	35.5		
32	40			32	40	36		
35	43			35	43	39		



Normal size of Packing				Housing Dimension				
d	D	t	h	Ød	ØD	ØS	H	B
35.5	43.5	5	6.5	35.5	43.5	39.5	6	2
36	44			36	44	40		
40	48			40	48	44		
40	50			40	50	46		
45	53			45	53	49		
45	55			45	55	51		
50	58			50	58	54		
50	60			50	60	56		
53	61			53	61	57		
55	63			55	63	59		
56	64			56	64	60		
60	68			60	68	64		
63	71			63	71	67		
65	73			65	73	69		
65	78			65	78	74		
67	75			67	75	71		
70	80			6	8	70		
71	81	71	81			76		
75	85	75	85			80		
80	90	80	90			85		
85	95	85	95			90		
90	100	90	100			95		
95	105	95	105			100		
100	110	100	110			105		
105	115	105	115			110		
110	120	110	120			115		
112	122	112	122			117		
115	125	115	125			120		
118	128	118	128			123		
120	130	120	130	125				
125	138	7	9.5	125	138	132	8	3
130	143			130	143	137		
135	148			135	148	142		
136	149			136	149	143		
140	153			140	153	147		
145	158			145	158	152		
150	163			150	163	157		
155	168			155	168	162		
160	173			160	173	167		
165	178			165	178	172		
170	183			170	183	177		
175	188			175	188	182		
180	193			180	193	187		
190	203			190	203	197		
200	213	200	213	207				

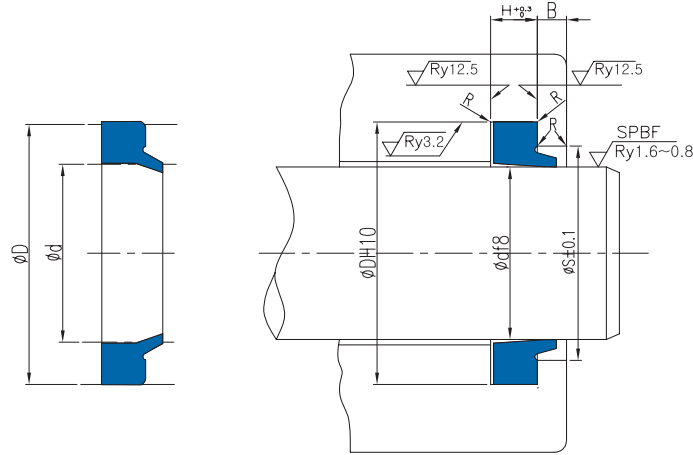


# DSK

### The limit of application

Temperature(°C)	-30~95
Speed(m/s)	0.03~1.0 0

DSK



R = UNDER 0.3

Normal size of Packing				Housing Dimension				
d	D	t	h	ød	øD	øS	H	B
8	16	4.5	6	8	16	12	5	2
9	17			9	17	13		
10	18			10	18	14		
11.2	19.2			11.2	19.2	15.2		
12.5	20.5			12.5	20.5	16.5		
14	22	3	5	14	22	18	3.5	
15	23			15	23	19		
15	23	4.5	6	15	23	19	5	
16	24			16	24	20.3		
17.8	25.3	3	5	17.8	25.3	21.6	3.5	
18	26	4.5	6	18	26	22.3	5	
20	28			20	28	24		

Normal size of Packing				Housing Dimension				
d	D	t	h	Ød	ØD	ØS	H	B
22.4	30.4	4.5	6	22.4	30.4	26.4	5	2
23.5	31.5			23.5	31.5	27.5		
25	33			25	33	29		
28	36			28	36	32		
30	38	5	6.5	30	38	34	6	
31.5	39.5			31.5	39.5	35.5		
32	40			32	40	36		
35	43	6	10	35	43	39	7	
35	45			35	45	41		
35.5	43.5	5	6.5	35.5	43.5	39.5	6	
38	46			38	46	42		
40	48			40	48	44		
40	50	4	7	40	50	46	5	
40	50	5	7.5	40	50	46	6	
45	53		45	53	49			
45.5	53.5		6.5	45.5	53.5	46.5		
50	58		50	58	54			
50	58		7.2	50	58	54		
53	61		53	61	57			
54.5	62.5		54.5	62.5	58.5			
55	63		6.5	55	63	59		
56	64		56	64	60			
60	68		60	68	64			
60	72	7	11	60	72	68		
62	70	5	6.5	62	70	66	7	
63	71			63	71	67		
65	73			65	73	69		
67	75			67	75	71		
70	80	6	8	70	80	75	7	
71	81			71	81	76		
75	85	6.5		75	85	80	7.5	
76	86			76	86	81		
80	90	6		80	90	85	7	
85	95			85	95	90		
90	100			90	100	95		
95	105			95	105	100		
97	107	6.5		97	107	102	7.5	
100	110	6		100	110	105	7	
105	115		105	115	110			
106	116		106	116	111			
110	120		110	120	115			
112	122		112	122	117			
118	128		118	128	123			
120	130	120	130	125				

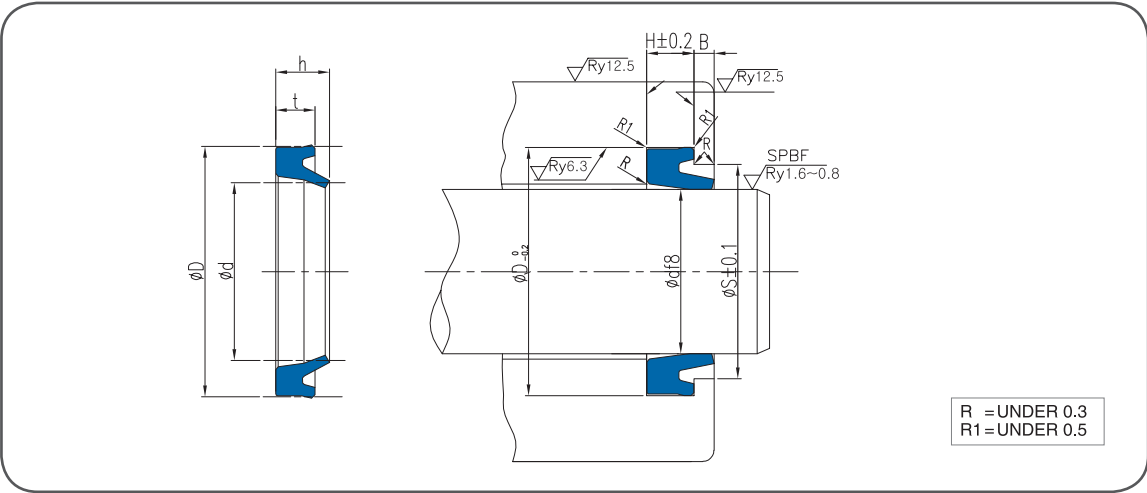
DSK

Normal size of Packing				Housing Dimension				
d	D	t	h	Ød	ØD	ØS	H	B
125	138	7	9.5	125	138	133	8	4
130	143			130	143	137		
132	145			132	145	139		
140	153			140	153	147		
145	158			145	158	152		
150	163			150	163	157		
155	168			155	168	162		
156	169			156	169	163		
157	170			157	170	164		
160	173			160	173	167		
170	183			170	183	177		
175	188			175	188	182		
180	193			180	193	187		
185	198			185	198	192		
190	203			190	203	197		
200	213			200	213	207		

# LPIY



The limit of application	
Temperature(°C)	-30~95
Speed(m/s)	0.03~1.0



Normal size of Packing				Housing Dimension				
d	D	t	h	Ød	ØD	ØS	H	B
20	28	4.5	6	20	28	24	5	2
25	33	5	6.5	25	33	29	6	
28	36			28	36	32		
30	38			30	38	34		
35	43			35	43	39		
45	55	6	8	45	55	50	7	
50	60			50	60	55		
50	63	7	9.5	50	63	56.5	8	
55	65	6	8.5	55	65	60	7	
55	68	7	9.5	55	68	61.5	8	
60	73			60	73	66.5		
65	78			65	78	71.5		





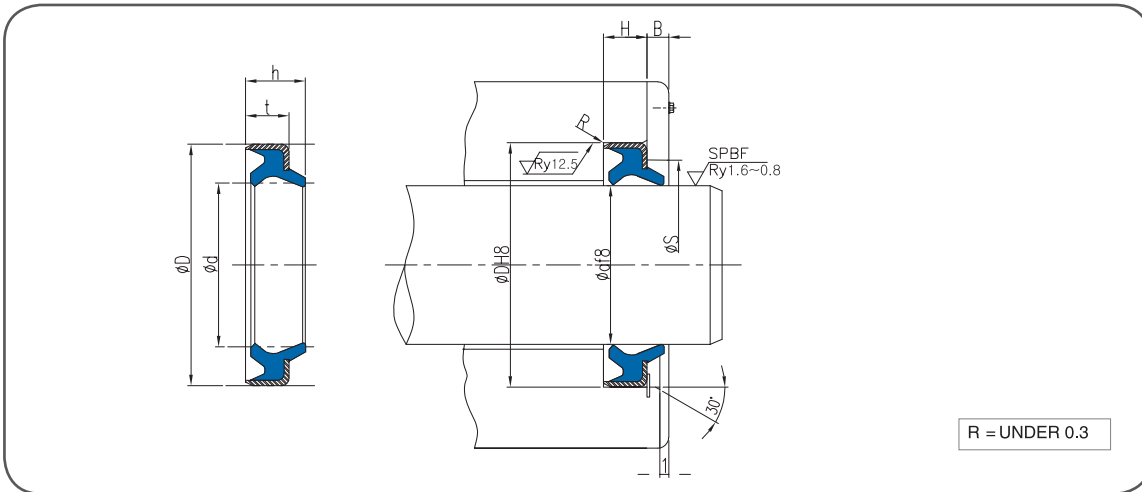
Normal size of Packing				Housing Dimension				
d	D	t	h	Ød	ØD	ØS	H	B
70	83	7	9.5	70	83	76.5	8	3
75	88			75	88	81.5		
80	93			80	93	86.5		
85	98			85	98	91.5		
90	103			90	103	96.5		
95	108			95	108	101.5		
100	113			100	113	106.5		
105	118			105	118	111.5		
110	123			110	123	116.5		
112	125			112	125	118.5		
120	133			120	133	126.5		
124	139	6.5	10.5	124	139	131.5	7.5	4
125	138	7	9.5	125	138	131.5	8	
130	143			130	143	136.5		
135	148			135	148	114.5		
140	153			140	153	146.5		
140	155	6.5	10.5	140	155	147.5	7.5	
145	158	7	9.5	145	158	151.5	8	
150	163			150	163	156.5		
155	170	6.5	10.3	155	170	162.5	7.5	
160	173	7	9.5	160	173	166.5	8	
170	183			170	183	176.5		
170	185	6.5	10.3	170	185	177.5	7.5	
180	193	7	9.5	180	193	186.5	8	5
190	203			190	203	196.5		
200	213			200	213	206.5		



# DKBK

### The limit of application

Temperature(°C)	-30~95
Speed(m/s)	0.03~1.0



Normal size of Packing				Housing Dimension					
d	D	t	h	Ød	ØD	ØS	H	Tolerance	B
18	30	6	9	18	30	25	6	+0.3~0.6	4
20	32			20	32	27			
22	34			22	34	29			
25	32	4	6	25	32	27			
25	35	6	9	25	35	30			
25	37			25	37	32			
30	42			30	42	37			
30	45	7	10	30	45	40	7		
32	44			32	44	39			
35	47			35	47	42			
40	52			40	52	47			
45	57			45	57	52			

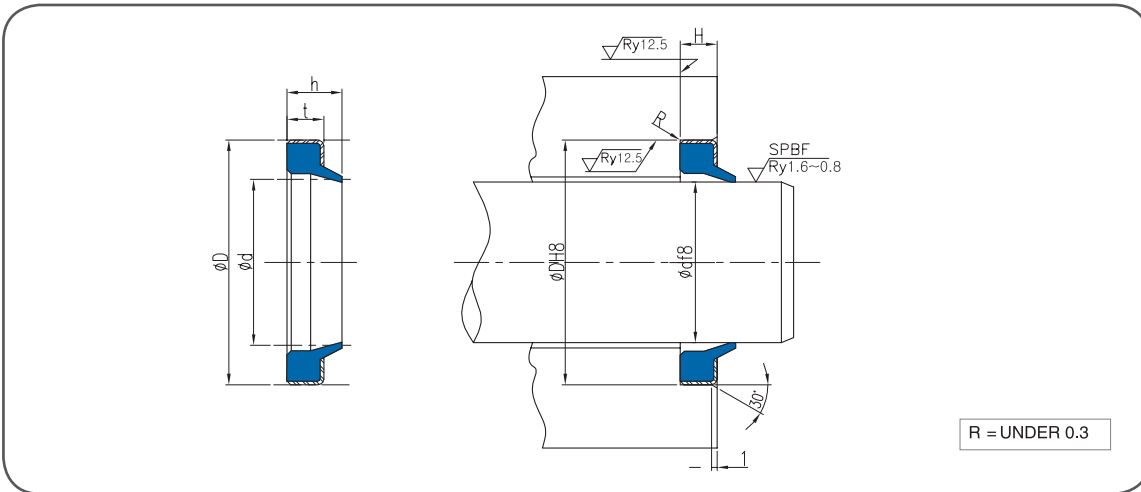
Normal size of Packing				Housing Dimension					
d	D	t	h	Ød	ØD	ØS	H	Tolerance	B
50	62	7	10	50	62	133	7	+0.3~0.5	4
55	69	8	11	55	69	137	8		
56	66	5	8	56	66	139	5	+0.4~0.6	
60	74	8	11	60	74	147	8		
65	79			65	79	152			
70	84			70	84	157			
75	89			75	89	162			
80	94			80	94	163			
85	99			85	99	164			
90	104			90	104	167			
95	109			95	109	177			
100	114			100	114	182			
105	121			9	12	105		121	187
110	126	110	126			192			
115	131	115	131			197			
120	136	120	136			207			
125	141	125	141			133			
130	146	130	146			138			
135	151	10	14	135	151	147	10		
140	160			140	160	150			
150	170			150	170	160			
160	180			160	180	170			



# DWT

### The limit of application

Temperature(°C)	-30~95
Speed(m/s)	0.03~1.0



Normal size of Packing				Housing Dimension			
d	D	t	h	Ød	ØD	H	Tolerance
6.3	16	5	7	6.3	16	5	+0.3~0.5
7.1	17			7.1	17		
8	18			8	18		
9	19			9	19		
10	20			10	20		
11.2	21			11.2	21		
12.5	23			12.5	23		
14	24			14	24		
15	25	15	25				
16	26	16	26				
18	30	6	9	18	30	6	
20	32			20	32		

Normal size of Packing				Housing Dimension			Tolerance
d	D	t	h	Ød	ØD	H	
22.4	34.4	6	9	22.4	34.4	5	+0.3~0.5
25	37			25	37		
27	39			27	39		
28	40			28	40		
30	42			30	42		
30	45	7	10	30	45	7	
31.5	44			31.5	44	7	
32	44			32	44	7	
32	52	8		32	52	8	
35	47	7		35	47	7	
35.5	47.5			35.5	47.5		
38	50			38	50		
40	52			40	52		
45	55			45	55		
45	57			45	57		
50	60	5	7	50	60	5	
50	62	7	10	50	62	7	
53	67	8	11	53	67	8	
55	65	7	10	55	65	7	
56	60	8	11	56	60	8	
60	74			60	74		
63	77			63	77		
63	75	7	10	63	75	7	
65	79	8	11	65	79	8	
67	79			67	79		
70	84			70	84		
71	85			71	85		
75	89			75	89		
80	94			80	94		
85	99			85	99		
90	104			90	104		
92	106			92	106		
95	109	95	109				
100	110	7	9	100	110	7	
100	114	8	11	100	114	8	
105	121	9	12	105	121	9	
106	122			106	122		
108	125			108	125		
110	120	7	9	110	120	7	
110	126	9	12	110	126	9	
112	128			112	128		
115	131			115	131		
118	134			118	134		
120	130	7	9	120	130	7	

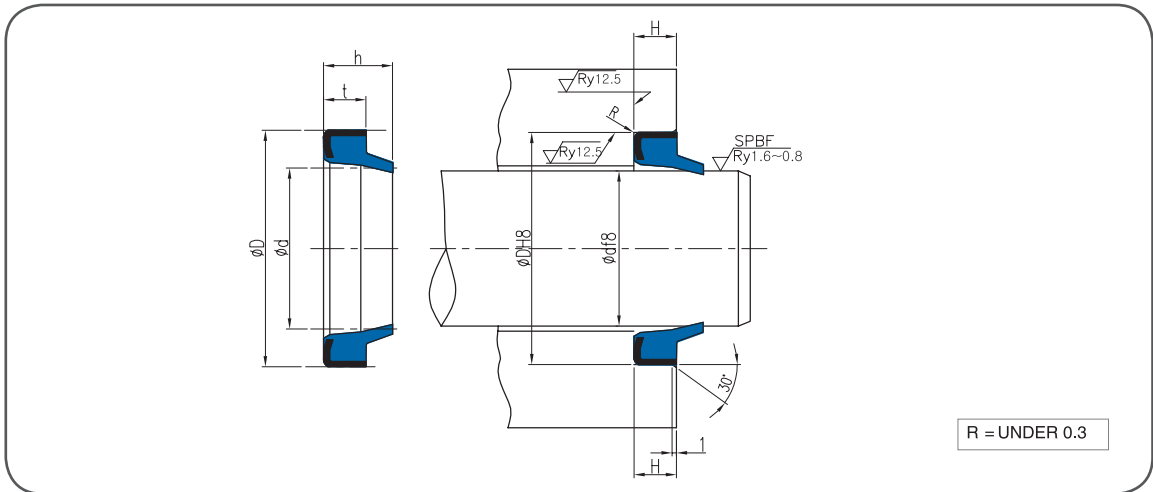
Normal size of Packing				Housing Dimension			
d	D	t	h	Ød	ØD	H	Tolerance
120	136	9	12	120	136	9	+0.4~0.6
125	141			125	141		
130	146			130	146		
132	148			132	148		
135	155	10	14	135	155	10	
140	160			140	160		
145	165			145	165		
150	170			150	170		
155	175			155	175		
160	180	10	14	160	180	10	
165	185			165	185		
170	190			170	190		
175	195			175	195		
180	205	12	17	180	205	12	+0.5~0.7



# DWL

### The limit of application

Temperature(°C)	-30~95
Speed(m/s)	0.03~1.0



Normal size of Packing				Housing Dimension			
d	D	t	h	Ød	ØD	H	Tolerance
25	37	6	6.9	25	37	6	+0.3~0.5
30	42			30	42		
35	47	7	10	35	47	7	
36	45			36	45		
50	62			50	62		
55	69	8	13	55	69	8	+0.4~0.6
60	74			60	74		
63	75	7	10	63	75	7	
65	79			65	79		
70	84	8	13	70	84	8	
75	89			75	89		
80	94			80	94		

Normal size of Packing				Housing Dimension			
d	D	t	h	Ød	ØD	H	Tolerance
85	99	8	13	85	99	8	+0.4~0.6
90	104			90	104		
95	109			95	109		
100	114			100	114		
105	121	10	13	105	121	9	
110	126			110	126		
120	136			120	136		
130	146			130	146		
140	160	10	14	140	160	10	

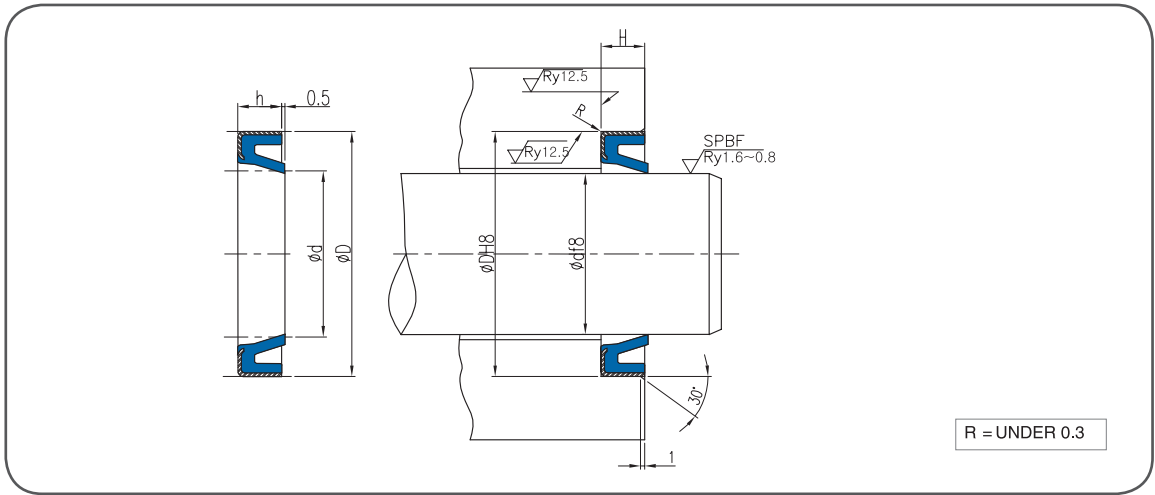




# DWU

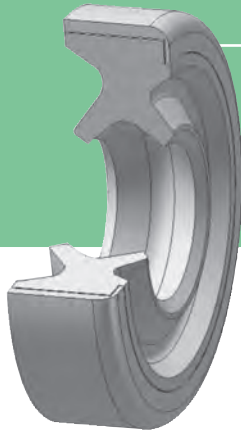
### The limit of application

Temperature(°C)	-30~95
Speed(m/s)	0.03~1.0



Normal size of Packing			Housing Dimension			Tolerance
d	D	h	ød	øD	H	
31.75	44.45	7.93	31.75	44.45	7.93	+0.3~0.5
35	47	7	35	47	7	
38.1	50.8	7.93	38.1	50.8	7.93	
38.1	57.15	9.52	38.1	57.15	9.52	
40	52	7	40	52	7	
44.45	57.15	7.93	44.45	57.15	7.93	
45	57	7	45	57	7	
50	62		50	62		
50.8	63.5	6.35	50.8	63.5	6.35	
50.8	63.5	7.93	50.8	63.5	7.93	
50.8	68.26	9.52	50.8	68.26	9.52	
55	69	8	55	69	8	

Normal size of Packing			Housing Dimension			Tolerance
d	D	h	Ød	ØD	H	
60	74	8	60	74	8	+0.4-0.6
63	77		63	77		
63.5	76.2	7.93	63.5	76.2	7.93	
63.5	82.55	9.52	63.5	82.55	9.52	
63.5	88.9	6.35	63.5	88.9	6.35	
65	79	8	65	79	8	
69.85	95.25	12.7	69.85	95.25	12.7	
70	84	8	70	84	8	
75	89		75	89		
76.2	88.9	7.98	76.2	88.9	7.98	
76.2	101.6	12.7	76.2	101.6	12.7	
80	94	8	80	94	8	
82.55	107.95	9.3	82.55	107.95	9.3	
85	99	8	85	99	8	
90	104		90	104		
95	109		95	109		
100	114		100	114		
105	121	9	105	121	9	
110	126		110	126		
115	131		115	131		
120	136		120	136		
130	146	9	130	146	9	
139.7	158.75	7.93	139.7	158.75	7.93	
140	160	10	140	160	10	

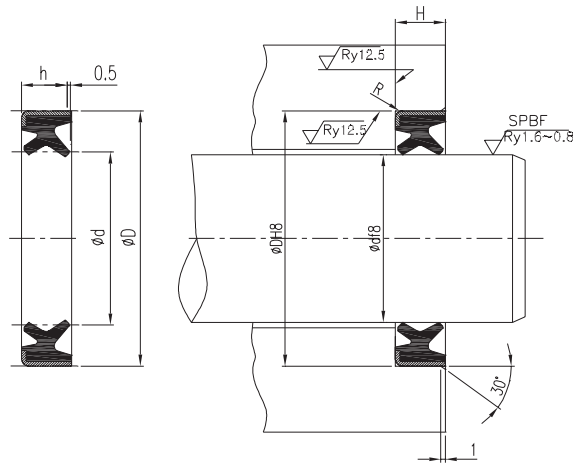


# DWUK

### The limit of application

Temperature(°C)	-30~95
Speed(m/s)	0.03~1.0

DWUK



Normal size of Packing			Housing Dimension			Tolerance
d	D	h	ød	øD	H	
38.10	57.15	9.52	38.10	57.15	10.92	+0.3~0.5
44.45	61.91	9.52	44.45	61.91	10.92	
50.80	68.26	9.52	50.80	68.26	10.92	
57.15	76.20	9.52	57.15	76.20	10.92	
60.32	79.37	10.54	60.32	79.37	10.92	
63.50	82.55	9.52	63.50	82.55	10.92	+0.4~0.6
63.50	82.55	10.54	63.50	82.55	10.92	
69.85	92.25	12.70	69.85	92.25	13.97	
76.20	101.60	12.70	76.20	101.60	13.97	
76.20	101.60	14.30	76.20	101.60	13.97	
82.55	107.95	12.70	82.55	107.95	13.97	
88.90	114.30	12.70	88.90	114.30	13.97	

Normal size of Packing			Housing Dimension			
d	D	h	Ød	ØD	H	Tolerance
95.25	120.65	12.70	95.25	120.65	13.97	+0.4-0.6
101.60	127.00	12.70	101.60	127.00	13.97	
113.20	165.50	11.30	113.20	165.50	12.50	
127.00	152.40	12.70	127.00	152.40	13.97	
171.45	196.85	12.70	171.45	196.85	13.97	+0.5-0.7
177.80	203.20	12.70	177.80	203.20	13.97	

DWUK

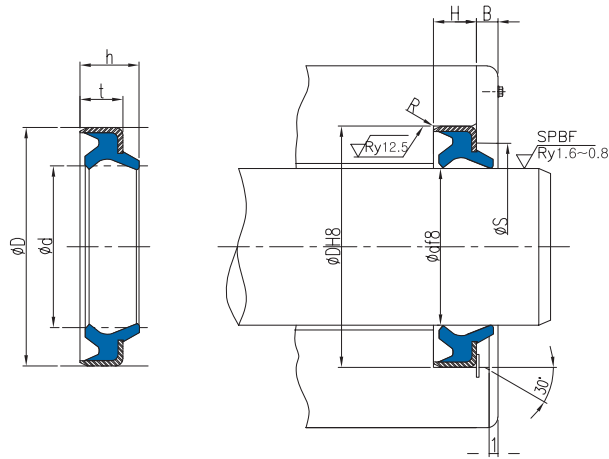


# LBHK

### The limit of application

Temperature(°C)      -20~95

LBHK



Normal size of Packing				Housing Dimension				
d	D	t	h	Ød	ØD	ØS	H	B
9.52	15.87	4.76	6.35	9.52	15.87	12.17	5.26	2
10	18	4.5	6	10	18	14.3	5	
12.5	19	5	6.5	12.5	19	15.8	5.5	
14	22	4.5	6	14	22	18.3	5	
16	24			16	24	20.3		
18	26			18	26	22.3		
20	28			20	28	24.3		
22	30			22	30	26.3		
22.4	30.4			22.4	30.4	26.7		
25	33			25	33	29.3		
28	36			28	36	32.3		
30	38	5	6.5	30	38	34	6	

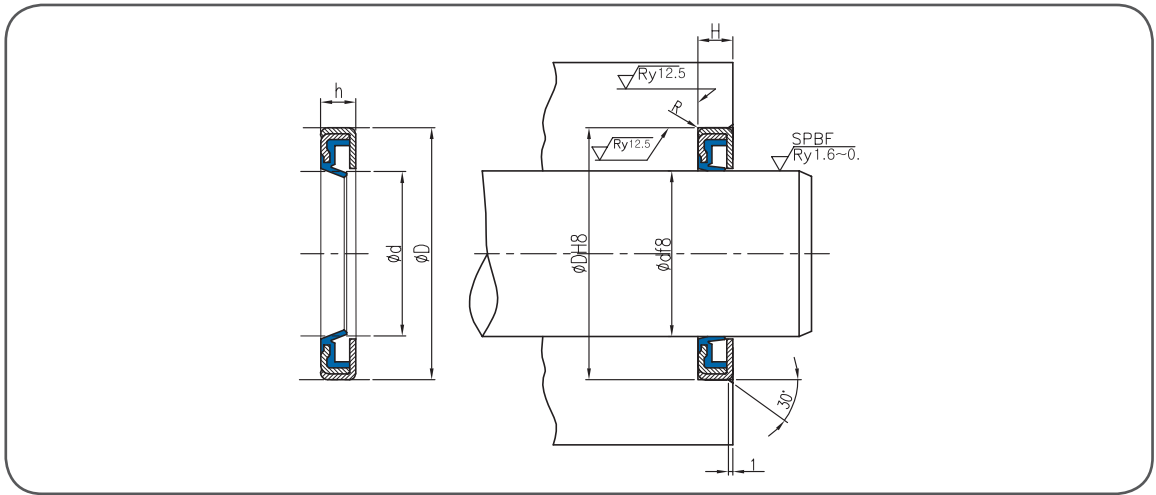
Normal size of Packing				Housing Dimension				
d	D	t	h	Ød	ØD	ØS	H	B
31.5	39.5	5	6.5	31.5	39.5	35.5	6	2
32	40			32	40	36		
35	43			35	43	39		
35.5	43.5			35.5	43.5	19.5		
36	44			36	44	40		
40	48			40	48	44		
45	53			45	53	49		
50	58			50	58	54		
53	61			53	61	57		
55	63			55	63	59		
56	64			56	64	60		
60	68			60	68	64		
65	73			65	73	69		
70	80			6	8	70		
71	81	71	81			76		
75	85	75	85			80		
80	90	80	90			85		
85	95	85	95			90		
90	100	90	100			95		
95	105	95	105			100		
100	110	6	6	100	110	105	3	
105	115			105	115	110		
106	116			106	116	111		
110	120			110	120	115		
112	122			112	122	117		
115	125			115	125	120		
118	128	7	9.5	118	128	123	8	
125	138			125	138	132		
140	153			140	153	147		
145	158			145	158	152		
150	163			150	163	157		
160	173			160	173	162		
165	178			165	178	172		
180	193			180	193	187		
200	213	200	213	207				



VAK

The limit of application

Temperature(°C)	-20~95
-----------------	--------



Normal size of Packing		
d	D	h
30	40	4
35	45	4
35	45	6
38	48	4
40	50	4
40	50	6
40	60	4.2
45	55	4
45	55	6
45	60	5
50	60	4
50	60	5

Normal size of Packing		
d	D	h
50	60	6
50	65	4
50	65	6
55	65	4
55	65	6
55	68	4
55	70	4
55	70	6
55	75	6
60	70	6
60	75	4
60	75	5

Normal size of Packing		
d	D	h
60	75	6
60	75	8
65	75	4
65	80	4
65	80	5
65	80	6
65	80	7.5
65	80	8
65	80	8
65	85	5
65	85	6
70	80	6
70	85	4
70	85	5
70	85	6
70	85	8
70	85	8
70	90	5
75	90	4
75	90	5
75	90	9.5
75	95	7
75	95	9.5
80	95	4
80	95	5
80	95	6
80	95	8
80	95	10
80	95	11
80	95	11
80	100	6
85	95	5
85	100	4
85	100	8
90	105	4
90	105	6
90	105	7.5
90	105	8
90	105	11
90	110	8
90	110	9.5
90	115	7.5
95	105	8

Normal size of Packing		
d	D	h
95	110	4
95	110	8
95	110	9.5
95	115	9.5
100	115	4
100	115	8
100	115	11
100	120	6
100	120	8
100	120	9.5
100	125	8
100	130	8
105	120	4
110	125	4
110	125	8
110	125	9.5
110	130	4
110	130	8
110	130	9.5
110	135	8
110	140	8
115	130	8
115	130	11
115	135	8
115	135	8
120	135	4
120	135	8
120	135	9.5
120	140	4
120	140	8
120	140	9.5
125	140	4
125	140	8
130	155	9.5
140	155	4
140	155	8
140	160	7.5
140	160	8
145	160	8
160	175	4
160	180	9.5
190	220	8

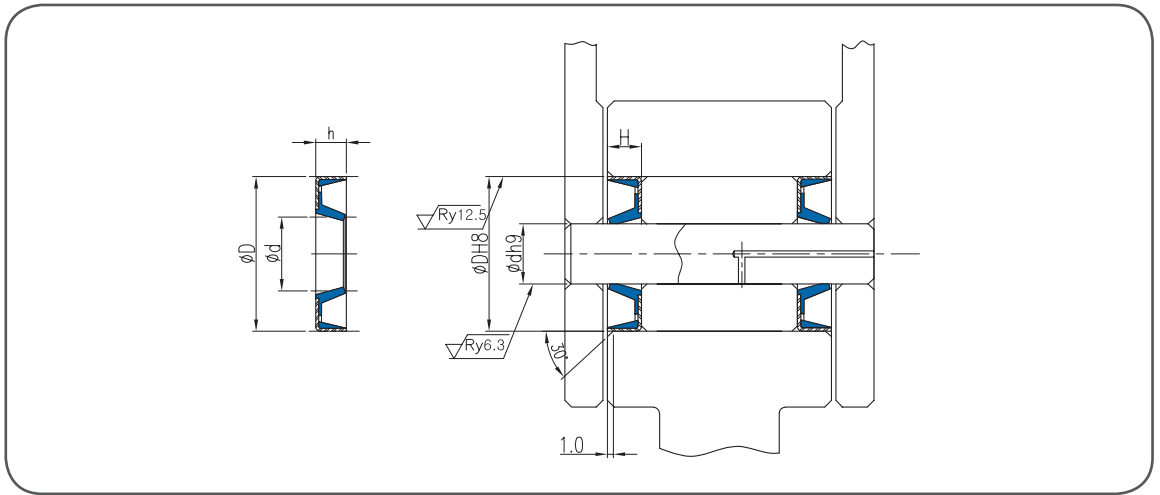




# DLK

### The limit of application

Temperature(°C)	-30~95
-----------------	--------



Normal size of Packing		
d	D	h
15	23	4
20	28	4
25	33	4
25	35	4
25	37	4
30	40	4
32	40	4
35	45	4
35	45	5
36	46	5
38	48	5
40	48	3.8

Normal size of Packing		
d	D	h
40	50	3.18
40	50	4
40	50	5
40	55	5
40	60	5
44	54	5
45	55	3.18
45	55	4
45	55	4.2
45	55	4.5
45	55	5
45	55	6

Normal size of Packing		
d	D	h
45	60	5
45	62	5
50	60	4
50	60	4.2
50	60	4.5
50	60	5
50	60	6
50	63	8
50	65	5
50	65	6
50	65	7.5
55	65	3.18
55	65	4.2
55	68	4.2
55	68	6
55	70	5
55	70	6
55	70	7.5
56	70	7.5
60	70	4.5
60	70	5
60	73	8
60	75	4
60	75	5
60	75	6
60	75	7.5
60	75	8
63	78	5
63	78	7.5
63	80	5
65	75	4
65	80	5
65	80	8
66	85	5
70	80	4
70	80	4.5
70	80	5
70	80	9
70	83	8
70	85	4
70	85	5
70	85	6
70	85	7.5

Normal size of Packing		
d	D	h
70	85	8
70	90	5
71	85	6
71	86	5
71	86	6
71	86	8
75	90	5
75	90	6
75	90	8
80	90	4.5
80	90	5
80	93	8
80	95	5
80	95	6
80	90	6.5
80	95	8
80	100	6
80	100	10
85	95	4.5
85	95	5
85	100	4
85	100	6
85	100	8
85	100	10
90	100	5
90	105	4
90	105	5
90	105	6
90	105	8
90	108	5
90	110	9.5
90	110	10
95	110	5
95	110	6
95	110	6.5
95	110	8
100	115	4
100	115	6
100	115	7
100	115	8
100	118	5
100	120	4
100	120	6.5



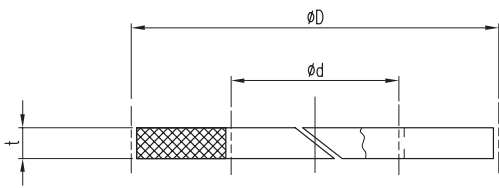
DLK

Normal size of Packing		
d	D	h
100	120	8
100	120	10
100	125	4
105	120	7
105	120	8
105	125	10
110	125	4
110	125	7
110	125	8
110	125	9
110	125	9.5
110	130	4.5
110	130	8
110	130	9
110	130	10
110	137	8
115	135	8
120	135	7
120	135	8
120	140	4.5
120	140	8
120	140	10
120	147	10
125	145	8
125	145	10
135	155	10
140	150	7
140	160	8
140	160	10
145	160	8
160	180	8
190	200	7
190	210	10

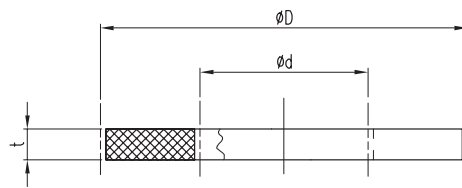


# BRT

- WHITE
- BRONZE
- MOS2



Bias Cut



Endless

BRT

Housing Dimension			
	Ød	ØD	H
BRT-U/BACKUP	3	13	1.5
	4	10	0.8
	4.5	11.5	2.5
	5	8	1.7
	5.5	8.5	1.5
	6	9	1.9
	6.3	16.3	1.5
	6.7	9.85	1.25
	7	9.9	1.25
	7.1	13	4
	7.65	11	1.25
	7.8	10.81	1.25

Housing Dimension			
	Ød	ØD	H
BRT-U/BACKUP	8	9.7	2.9
	8.6	12.4	1.2
	9	10	2
	9.4	12.5	1.25
	9.5	14	1.25
	9.8	12.7	0.7
	10	11	2
	10.1	12.95	1.25
	10.6	15	1.25
	10.7	14.8	1.25
	11	13	2
	11.1	14.95	1.25

Housing Dimension			
	Ød	ØD	H
BRT-U/BACKUP	11.2	15.5	1.25
	11.35	13.9	1.35
	11.4	14.2	1.25
	12	14	0.5
	12.1	15	1.4
	12.2	16.45	1.25
	12.35	14.9	1.35
	12.5	16.5	1.25
	12.55	15.8	1.3
	13	15.8	0.8
	13.05	15.87	0.7
	13.35	15.9	1.35
	13.7	16.5	1
	14	16	2
	14.1	17.4	1.3
	14.22	19.03	1.25
	14.6	17.45	1.25
	14.73	17.43	1.24
	14.75	17.47	0.7
	15	17	2
	15.4	17	2
	15.6	18	1.25
	15.7	18.1	1.25
	15.9	20.4	1.4
	16	20.5	1.3
	16.05	19.9	1.25
	16.2	17.8	1
	16.26	20.62	1.23
	16.35	19.07	0.7
	16.6	21	1.25
	17	18	1.6
	17.8	20.4	1.5
	17.9	20.9	1.25
	18	20	1.5
	18.5	19.5	1.3
	18.5	24	1
	19	21	2
	19.06	20.6	2
	19.01	20.6	2
	19.3	21	2
	19.4	21	2
	19.5	21	2
	19.53	26.19	1.85

Housing Dimension			
	Ød	ØD	H
BRT-U/BACKUP	19.9	21.4	2
	20	22	2
	20.1	24	2
	20.2	21.8	2
	20.3	21.8	2
	20.5	25	1.25
	21	28	1.5
	21.2	24.2	1.25
	22	24.9	3.8
	22.2	24.6	1.25
	22.3	25	1.35
	22.4	30	1.5
	23	25	2
	23.5	31.5	2
	24	25	2
	24.9	27.5	1.25
	25	26	2.1
	25.5	29.5	2
	26	27	1.3
	26.1	28	2
	26.65	31	2
	26.7	42.1	1.2
	26.8	35	6
	27	40	3.5
	27.08	30.68	3
	27.4	31.3	1.7
	27.8	31.8	1.2
	28	32	1.25
	28.2	32.3	1.25
	28.6	33.4	1.2
	29.25	31.6	1.35
	29.3	32	1.35
	29.7	33.4	1.35
	30	32	2
	30.16	38.1	1.58
	30.5	36.4	1.4
	31	35	2
	31.5	44.5	3
	32	37	2
	33	36	2
	34	37.5	2.5
	34.82	38.45	1.82
	35	37	2.5



**BRT**

Housing Dimension			
	Ød	ØD	H
BRT-U/BACKUP	35.5	45	2
	35.6	42	1.4
	36	40	2
	37	42	1.3
	38	48	1.7
	38.45	45	2.1
	39	43	5
	40	46.5	2
	40.9	44.8	1.35
	42	45	2.1
	43.32	50	1.35
	44	48	2.5
	44.12	50.8	1.35
	44.45	60.33	4.83
	45	48	2.6
	47	50	3
	48	50.8	3.2
	49	51	3.1
	50	52.6	2.4
	50.4	55	3
	50.7	65	5.6
	50.8	60	1.5
	51.3	55.3	3.85
	52	55	2.5
	52.7	56.5	1.2
	52.91	56.97	0.8
	53	56	3
	53.3	64.7	2.7
	53.6	59.5	2.6
	54	57	3
	54.9	57	2.05
	55	60	2
	55.3	64.7	1
	56	60	2.2
	57	60	3.5
	57.15	68.85	1.5
	57.2	62.79	1.27
	59	64.5	4
	59.4	63.5	1.5
	60	62	2.4
	60.3	65.3	4.8
	61	64	1.9
	61.2	66.2	3.2

Housing Dimension			
	Ød	ØD	H
BRT-U/BACKUP	6.2	66	4.7
	62.1	67.9	1.25
	63	71	2
	63.4	69	1.35
	63.5	76.2	1.58
	64	80	3
	64.3	68.9	3
	65	67	2.2
	635.5	84	1.5
	66	71	6.25
	66.52	72.76	6.73
	67	70	2.2
	68	75	2
	68.6	75	1.4
	69.2	79.4	4.5
	70	74	4.7
	70.5	89	1.5
	71	80	2
	73	60	3
	74.5	80.5	1.25
	75	60	4
	75.5	78	1.5
	76	78	1.9
	77	108	1.5
	79	84	1.25
	79.5	94.5	3
	79.6	89	2.27
	80	82.2	1.9
	81	91	1.8
	81.1	90.1	1.9
	82.5	88.5	1.4
	83	89	3
	83.24	90.26	3.97
	85	90	3
	87.7	93.5	1.8
	88	100	2
	89	95	1.25
	90	95	2
	91	98	2
	95	100	2.5
	95.25	101.6	1.4
	98.8	118.8	3
	100	103	3.9

Housing Dimension			
	Ød	ØD	H
BRT-U/BACKUP	100.3	120	3
	101	108	2
	101.4	104.8	3
	101.6	114.3	3.17
	105	109	5
	106	120	2
	110	114	4.6
	112	125	2
	113	127.5	2
	115	120	2
	115.8	124.8	1.6
	118	133	3
	120	123	3.9
	124	130	3
	125	130	2
	125.8	133	1.6
	129.7	132.7	3.1
	130	133.3	3.1
	130.1	140	2
	132	145	2
	133.64	140	3.18
	135	145	4
	136	141	2
	140	143	4.5
	145	155	3
	150	155	1.3
	153	165	3
	155	165	2.5
	158	167.9	2.5
	160	165	1.25
	165	170	1.3
	166	172	4.9
	170	174	1.5
	171	176	1.3
	174	180	2
	175	180	2
	180	187	1.7
	184	200	7
	185	200	3
	186	192	1.15
	190	199.4	1.7
	192	200	5
	193	200	1.7

Housing Dimension			
	Ød	ØD	H
BRT-U/BACKUP	193.6	200	2.8
	195	200	2
	199	224	3
	200	206	2
	203.5	209.5	1.15
	204	224	3
	205	225	4
	210	216	1.3
	212	237	3
	213.5	219.5	3
	214	224	2
	215	235	2.5
	220	240	4
	222	237	2
	225	250	3
	227	233	3
	230	235	5.9
	232	235	2.25
	235	260	3
	240	260	4
	245	270	3
	250	270	3
	255	280	3
	260	280	3
	265	290	3
	270	300	3
	280	310	3
	290	320	2
	300	330	4
	308.6	315	2.8
	320	350	4
	328.6	335	2.8
	393.6	400	2.8

Housing Dimension			
	Ød	ØD	H
T3A006	3.65	6.26	1.24
T3A007	4.34	7.04	1.24
T3A008	5.13	7.83	1.24
T3A009	5.94	8.64	1.24
T3A010	6.73	9.43	1.24
T3A011	8.31	11.01	1.24
T3A012	9.91	12.61	1.24
T3A013	11.56	14.26	1.24
T3A014	13.16	15.86	1.24
T3A015	14.73	17.46	1.24
T3A016	16.33	19.03	1.24
T3A017	17.91	20.61	1.24
T3A018	19.51	22.21	1.24
T3A019	21.08	23.78	1.24
T3A020	22.68	25.38	1.24
T3A021	24.26	26.96	1.24
T3A022	25.86	28.56	1.24
T3A023	27.43	30.13	1.24
T3A024	29.03	31.73	1.24
T3A025	30.61	33.31	1.24
T3A026	32.21	34.91	1.24
T3A027	33.78	36.48	1.24
T3A028	35.38	38.08	1.24
T3A029	38.56	41.26	1.24
T3A030	41.73	44.43	1.24
T3A031	44.91	47.61	1.24
T3A032	48.08	50.78	1.24
T3A033	51.26	53.96	1.24
T3A034	54.43	57.13	1.24
T3A035	57.61	60.31	1.24
T3A036	60.78	63.48	1.24
T3A037	63.96	66.66	1.24
T3A038	67.13	69.83	1.24
T3A039	70.31	73.01	1.24
T3A040	73.48	76.18	1.24
T3A041	76.66	79.36	1.24
T3A042	83.01	85.71	1.24
T3A043	89.36	92.06	1.24
T3A044	95.71	98.41	1.24
T3A045	102.06	104.76	1.24
T3A046	108.41	111.11	1.24
T3A047	114.76	117.46	1.24
T3A048	121.11	123.81	1.24

Housing Dimension			
	Ød	ØD	H
T3A049	127.45	130.16	1.24
T3A050	133.81	136.51	1.24
T3A102	1.96	6.32	1.35
T3A103	2.77	7.13	1.35
T3A104	5.56	9.92	1.35
T3A105	4.34	8.7	1.35
T3A106	5.13	9.49	1.35
T3A107	5.94	10.3	1.35
T3A108	6.73	11.09	1.35
T3A109	8.31	12.67	1.35
T3A110	9.91	14.27	1.35
T3A111	11.48	15.84	1.35
T3A112	13.08	17.44	1.35
T3A113	14.66	19.02	1.35
T3A114	16.26	20.62	1.35
T3A115	17.83	22.19	1.35
T3A116	19.43	23.79	1.35
T3A117	21.11	25.47	1.35
T3A118	22.68	27.04	1.35
T3A119	24.28	28.64	1.35
T3A120	25.86	30.22	1.35
T3A121	27.46	31.82	1.35
T3A122	29.03	33.39	1.35
T3A123	30.63	34.99	1.35
T3A124	32.21	36.57	1.35
T3A125	33.81	38.17	1.35
T3A126	35.38	39.74	1.35
T3A127	36.98	41.34	1.35
T3A128	38.56	42.92	1.35
T3A129	40.16	44.52	1.35
T3A130	41.73	46.09	1.35
T3A131	43.33	47.69	1.35
T3A132	44.91	49.27	1.35
T3A133	46.51	50.87	1.35
T3A134	48.08	52.44	1.35
T3A135	49.68	54.04	1.35
T3A136	51.26	55.62	1.35
T3A137	52.86	57.22	1.35
T3A138	54.43	58.79	1.35
T3A139	56.63	60.39	1.35
T3A140	57.61	61.97	1.35
T3A141	59.21	63.57	1.35
T3A142	60.78	65.14	1.35





Housing Dimension			
	Ød	ØD	H
T3A143	62.78	67.14	1.35
T3A144	63.96	68.32	1.35
T3A145	65.56	69.92	1.35
T3A146	67.13	71.49	1.35
T3A147	68.73	73.09	1.35
T3A148	70.31	74.67	1.35
T3A149	71.91	76.27	1.35
T3A150	73.48	77.84	1.35
T3A151	76.66	81.02	1.35
T3A152	83.01	87.37	1.35
T3A153	89.36	93.72	1.35
T3A154	95.71	100.07	1.35
T3A155	102.06	106.42	1.35
T3A156	108.41	112.77	1.35
T3A157	114.76	119.12	1.35
T3A158	121.11	125.47	1.35
T3A159	127.46	131.82	1.35
T3A160	133.81	138.17	1.35
T3A161	140.16	144.52	1.35
T3A162	146.51	150.87	1.35
T3A163	152.86	157.22	1.35
T3A164	159.21	163.57	1.35
T3A165	165.56	169.92	1.35
T3A166	171.91	176.27	1.35
T3A167	178.26	182.62	1.35
T3A168	184.61	188.97	1.35
T3A169	190.56	194.92	1.35
T3A170	197.31	201.67	1.35
T3A171	203.66	208.02	1.35
T3A172	210.01	214.37	1.35
T3A173	216.36	220.72	1.35
T3A174	222.71	227.07	1.35
T3A175	229.06	233.42	1.35
T3A176	235.06	239.42	1.35
T3A177	241.76	246.12	1.35
T3A178	248.11	252.47	1.35
T3A201	5.13	11.13	1.27
T3A202	6.73	12.73	1.27
T3A203	8.3	14.3	1.27
T3A204	9.9	15.9	1.27
T3A205	11.56	17.56	1.27
T3A206	13.16	19.16	1.27
T3A207	14.73	20.73	1.27

Housing Dimension			
	Ød	ØD	H
T3A208	16.33	22.33	1.27
T3A209	17.9	23.9	1.27
T3A210	19.46	25.46	1.27
T3A211	21.03	27.03	1.27
T3A212	22.63	28.63	1.27
T3A213	24.21	30.21	1.27
T3A214	25.81	31.81	1.27
T3A215	27.38	33.38	1.27
T3A216	28.98	34.98	1.27
T3A217	30.56	36.56	1.27
T3A218	32.16	38.16	1.27
T3A219	33.88	39.88	1.27
T3A220	35.48	41.48	1.27
T3A221	37.06	43.06	1.27
T3A222	38.66	44.66	1.27
T3A223	41.83	47	83
T3A224	45.01	51.01	1.27
T3A225	48.18	54.18	1.27
T3A226	51.36	57.36	1.27
T3A227	54.53	60.53	1.27
T3A228	57.71	63.71	1.27
T3A229	60.88	66.88	1.27
T3A230	64.06	70.06	1.27
T3A231	66.83	72.83	1.27
T3A232	70	76	1.27
T3A233	73.18	79.18	1.27
T3A234	76.35	82.35	1.27
T3A235	79.53	85.53	1.27
T3A236	82.7	88.7	1.27
T3A237	85.88	91.88	1.27
T3A238	89.05	95.05	1.27
T3A239	92.23	98.23	1.27
T3A240	95.4	101.4	1.27
T3A241	98.58	104.58	1.2
T3A242	101.75	107.75	1.27
T3A243	104.93	110.93	1.27
T3A244	108.1	114.1	1.27
T3A245	111.28	117.28	1.27
T3A246	114.45	120.45	1.27
T3A247	117.63	123.63	1.27
T3A248	121.11	127.11	1.27
T3A249	124.28	130.28	1.27
T3A250	127.46	133.46	1.27



T3A

Housing Dimension			
	Ød	ØD	H
T3A251	130.63	136.63	1.27
T3A252	133.81	139.81	1.27
T3A253	136.98	142.98	1.27
T3A254	140.16	146.16	1.27
T3A255	140.33	149.33	1.27
T3A256	146.51	152.51	1.27
T3A257	149.68	155.68	1.27
T3A258	152.86	158.86	1.27
T3A259	159.21	165.21	1.27
T3A260	165.56	171.56	1.27
T3A261	171.91	177.91	1.27
T3A262	178.26	184.26	1.27
T3A263	184.61	190.61	1.27
T3A264	190.96	196.96	1.27
T3A265	197.31	203.31	1.27
T3A266	203.66	209.66	1.27
T3A267	210.01	216.01	1.27
T3A268	216.36	222.36	1.27
T3A269	222.71	228.71	1.27
T3A270	229.06	235.06	1.27
T3A271	235.41	241.41	1.27
T3A272	241.76	247.76	1.27
T3A273	248.11	254.11	1.27
T3A274	254.46	260.46	1.27
T3A275	267.16	273.16	1.27
T3A276	279.86	285.86	1.27
T3A277	292.56	298.56	1.27
T3A278	305.26	311.26	1.27
T3A279	303.66	336.66	1.27
T3A280	356.05	362.05	1.27
T3A281	381.46	387.46	1.27
T3A282	406.12	412.12	1.27
T3A283	431.52	437.52	1.27
T3A284	456.92	462.92	1.27
T3A309	11.43	20.73	1.93
T3A310	13.03	22.33	1.93
T3A311	14.06	23.34	1.93
T3A312	16.2	25.5	1.93
T3A313	17.78	27.08	1.93
T3A314	19.38	28.68	1.93
T3A315	20.96	30.26	1.93
T3A316	22.56	31.86	1.93
T3A317	24.13	33.43	1.93

Housing Dimension			
	Ød	ØD	H
T3A318	25.73	35.03	1.93
T3A319	27.31	36.61	1.93
T3A320	28.91	38.21	1.93
T3A321	30.42	39.72	1.93
T3A322	32.08	41.38	1.93
T3A323	33.43	42.73	1.93
T3A324	35.26	44.56	1.93
T3A325	38.43	47.73	1.93
T3A326	41.61	50.91	1.93
T3A327	44.78	54.08	1.93
T3A328	47.96	57.26	1.93
T3A329	51.13	60.43	1.93
T3A330	54.31	64.61	1.93
T3A331	57.61	66.91	1.93
T3A332	60.78	70.08	1.93
T3A333	63.96	73.26	1.93
T3A334	67.13	76.43	1.93
T3A335	70.31	79.61	1.93
T3A336	73.48	82.78	1.93
T3A337	76.66	85.96	1.93
T3A338	79.83	89.13	1.93
T3A339	83.13	92.43	1.93
T3A340	86.31	95.61	1.93
T3A341	89.48	98.78	1.93
T3A342	92.66	101.96	1.93
T3A343	95.83	105.13	1.93
T3A344	99.01	108.31	1.93
T3A345	102.31	111.61	1.93
T3A346	105.49	114.79	1.93
T3A347	108.66	117.96	1.93
T3A348	111.84	121.14	1.93
T3A349	115.01	124.31	1.93
T3A350	118.19	127.49	1.93
T3A351	121.36	130.66	1.93
T3A352	124.54	133.84	1.93
T3A353	127.71	137.01	1.93
T3A354	130.89	140.19	1.93
T3A355	134.09	143.39	1.93
T3A356	137.24	146.54	1.93
T3A357	140.41	149.71	1.93
T3A358	143	152.1	1.93
T3A359	146.76	156.06	1.93
T3A360	149.946	159.246	1.93

Housing Dimension			
	Ød	ØD	H
T3A361	153.11	162.41	1.93
T3A362	159.56	168.86	1.93
T3A363	165.81	175.11	1.93
T3A364	172.16	181.46	1.93
T3A365	178.51	187.81	1.93
T3A366	184.86	194.16	1.93
T3A367	191.21	200.51	1.93
T3A368	197.56	206.86	1.93
T3A369	203.91	213.12	1.93
T3A370	210.26	219.56	1.93
T3A371	216.61	225.91	1.93
T3A372	222.96	232.26	1.93
T3A373	229.31	238.61	1.93
T3A374	235.66	244.96	1.93
T3A375	242.01	251.31	1.93
T3A376	248.36	257.66	1.93
T3A377	254.71	264.01	1.93
T3A378	267.41	276.71	1.93
T3A379	280.11	289.41	1.93
T3A380	292.81	302.11	1.93
T3A381	305.51	314.81	1.93
T3A382	330.91	340.21	1.93
T3A383	356.31	365.61	1.93
T3A384	381.71	391.01	1.93
T3A385	406.6	415.9	1.93
T3A386	432	441.3	1.93
T3A387	457.4	466.7	1.93
T3A388	482.75	492.05	1.93
T3A389	508.15	517.45	1.93
T3A390	533.55	542.85	1.93
T3A391	558.95	568.25	1.93
T3A392	584.02	593.32	1.93
T3A393	609.42	618.72	1.93
T3A394	634.8	644.12	1.93
T3A395	660.22	669.52	1.93
T3A425	115.6	127.58	2.97
T3A427	121.95	133.93	2.97
T3A428	125.2	137.18	2.97
T3A429	128.3	140.28	2.97
T3A430	131.47	143.45	2.97
T3A431	134.65	146.63	2.97
T3A432	137.82	149.8	2.97
T3A433	141	152.98	2.97

Housing Dimension			
	Ød	ØD	H
T3A434	144.17	156.15	2.97
T3A435	147.35	159.33	2.97
T3A437	153.7	165.68	2.97
T3A438	159.36	171.34	2.97
T3A439	165.71	177.69	2.97
T3A440	172.06	184.04	2.97
T3A441	178.41	190.39	2.97
T3A442	184.76	196.74	2.97
T3A443	191.11	203.09	2.97
T3A444	197.46	209.44	2.97
T3A445	203.81	215.79	2.97
T3A446	216.51	228.49	2.97
T3A447	229.21	241.19	2.97
T3A448	241.91	253.89	2.97
T3A449	254.61	266.59	2.97
T3A450	267.31	279.29	2.97
T3A451	280.01	291.99	2.97
T3A452	292.71	304.49	2.97
T3A453	305.41	317.39	2.97
T3A454	318.11	330.09	2.97
T3A455	330.81	342.79	2.97
T3A456	343.51	355.49	2.97
T3A457	356.21	368.19	2.97
T3A458	368.91	380.89	2.97
T3A459	381.61	393.59	2.97
T3A460	394.31	406.29	2.97
T3A467	482.7	494.68	2.97
T3A906	12.1	15.3	1.2
T3A911	22.3	27.3	1.2
T3A912	23.8	39	1.2



T3G

Housing Dimension			
	Ød	ØD	H
T3G020	20	25	1.25
T3G025	25	30	1.25
T3G030	30	35	1.25
T3G035	35	40	1.25
T3G038	38	43	1.25
T3G040	40	45	1.25
T3G045	45	50	1.25
T3G046	46	51	1.25
T3G050	50	55	1.25
T3G051	51	56	1.25
T3G052	52	57	1.25
T3G053	53	58	1.25
T3G055	55	60	1.25
T3G056	56	61	1.25
T3G057	57	62	1.25
T3G058	58	63	1.25
T3G060	60	65	1.25
T3G061	61	66	1.25
T3G063	63	68	1.25
T3G065	65	70	1.25
T3G066	66	71	1.25
T3G070	70	75	1.25
T3G071	71	76	1.25
T3G075	75	80	1.25
T3G076	76	81	1.25
T3G080	80	85	1.25
T3G081	81	86	1.25
T3G085	85	90	1.25
T3G086	86	91	1.25
T3G090	90	95	1.25
T3G091	91	96	1.25
T3G095	95	100	1.25
T3G096	96	101	1.25
T3G100	100	105	1.25
T3G105	105	110	1.25
T3G106	106	111	1.25
T3G110	110	115	1.25
T3G112	112	117	1.25
T3G114	114	119	1.25
T3G115	115	120	1.25
T3G116	116	121	1.25
T3G120	120	125	1.25
T3G125	125	130	1.25

Housing Dimension			
	Ød	ØD	H
T3G126	126	131	1.25
T3G130	130	135	1.25
T3G135	135	140	1.25
T3G136	136	141	1.25
T3G140	140	145	1.25
T3G145	145	150	1.25
T3G146	146	151	1.25
T3G150	150	160	1.9
T3G152	152	162	1.9
T3G155	155	165	1.9
T3G160	160	170	1.9
T3G161	161	170	1.9
T3G165	165	175	1.9
T3G170	170	180	1.9
T3G172	172	182	1.9
T3G175	175	185	1.9
T3G180	180	190	1.9
T3G181	181	191	1.9
T3G185	185	195	1.9
T3G190	190	200	1.9
T3G192	192	202	1.9
T3G195	195	205	1.9
T3G200	200	210	1.9
T3G205	205	215	1.9
T3G210	210	220	1.9
T3G215	215	225	1.9
T3G220	220	230	1.9
T3G225	225	235	1.9
T3G230	230	240	1.9
T3G235	235	245	1.9
T3G240	240	250	1.9
T3G242	242	252	1.9
T3G245	245	255	1.9
T3G250	250	260	1.9
T3G255	255	265	1.9
T3G260	260	270	1.9
T3G265	265	275	1.9
T3G270	270	280	1.9
T3G275	275	285	1.9
T3G280	280	290	1.9
T3G290	290	300	1.9
T3G292	292	302	1.9
T3G300	300	310	1.9

Housing Dimension			
	Ød	ØD	H
T3G330	330	340	1.9
T3G400	400	410	1.9
T3G490	490	500	1.9
T3GS150	150	155	1.25
T3GS155	155	160	1.25
T3GS165	165	170	1.25
T3GS170	170	175	1.25
T3GS195	195	200	1.25

T3G



T3P

Housing Dimension			
	Ød	ØD	H
T3P003	3	6	1.25
T3P004	4	7	1.25
T3P005	5	8	1.25
T3P006	6	9	1.25
T3P007	7	10	1.25
T3P008	8	11	1.25
T3P009	9	12	1.25
T3P010	10	13	1.25
T3P011	11	15	1.25
T3P0112	11.2	15.2	1.25
T3P012	12	16	1.25
T3P0125	12.5	16.5	1.25
T3P013	13	17	1.25
T3P014	14	18	1.25
T3P015	15	19	1.25
T3P016	16	20	1.25
T3P017	17	21	1.25
T3P018	18	22	1.25
T3P019	19	23	1.25
T3P020	20	24	1.25
T3P021	21	25	1.25
T3P022	22	26	1.25
T3P0224	22.4	28.4	1.25
T3P024	24	30	1.25
T3P024	25	31	1.25
T3P0255	25.5	31.5	1.25
T3P026	26	32	1.25
T3P027	27	33	1.25
T3P028	28	34	1.25
T3P090	29	35	1.25
T3P091	29.5	35.5	1.25
T3P095	30	36	1.25
T3P095	31	37	1.25
T3P100	31.5	37.5	1.25
T3P105	32	38	1.25
T3P106	34	40	1.25
T3P110	35	41	1.25
T3P112	35.5	41.5	1.25
T3P114	36	42	1.25
T3P115	38	44	1.25
T3P116	39	45	1.25
T3P120	40	46	1.25
T3P125	41	47	1.25

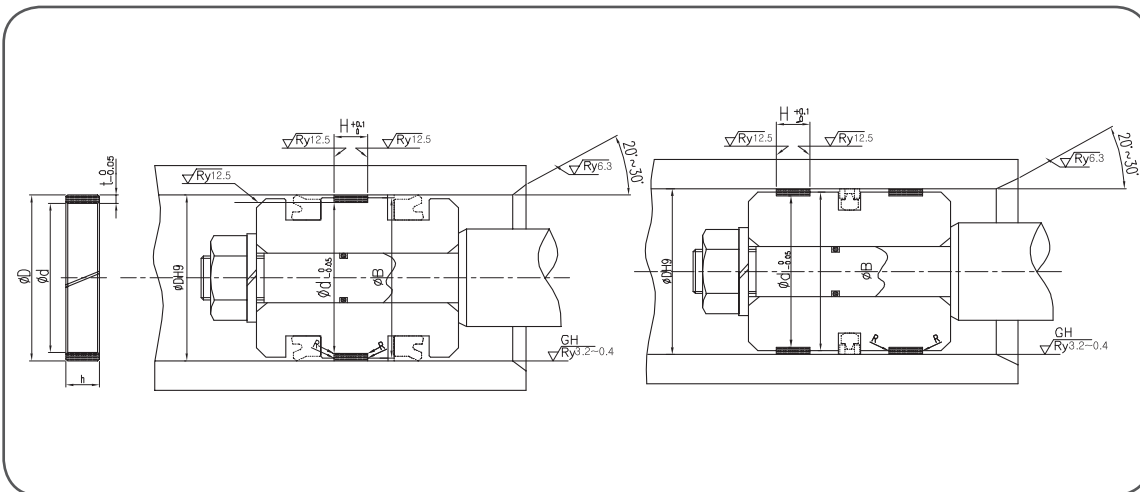
Housing Dimension			
	Ød	ØD	H
T3P042	42	48	1.25
T3P043	43	49	1.25
T3P044	44	50	1.25
T3P045	45	51	1.25
T3P046	46	52	1.25
T3P048	48	54	1.25
T3P049	49	55	1.25
T3P050	50	56	1.25
T3P052	52	62	1.9
T3P053	53	63	1.9
T3P055	55	65	1.9
T3P056	56	66	1.9
T3P058	58	68	1.9
T3P060	60	70	1.9
T3P062	62	72	1.9
T3P063	63	73	1.9
T3P065	65	75	1.9
T3P067	67	77	1.9
T3P070	70	80	1.9
T3P071	71	81	1.9
T3P075	75	85	1.9
T3P080	80	90	1.9
T3P085	85	95	1.9
T3P090	90	100	1.9
T3P095	95	105	1.9
T3P100	100	110	1.9
T3P101	101	111	1.9
T3P102	102	112	1.9
T3P105	105	115	1.9
T3P110	110	120	1.9
T3P111	111	120	1.9
T3P112	112	122	1.9
T3P115	115	125	1.9
T3P116	116	125	1.9
T3P120	120	130	1.9
T3P121	121	130	1.9
T3P125	125	135	1.9
T3P126	126	135	1.9
T3P130	130	140	1.9
T3P131	131	140	1.9
T3P132	132	142	1.9
T3P135	135	145	1.9
T3P136	136	145	1.99

Housing Dimension			
	Ød	ØD	H
T3P140	140	150	1.9
T3P141	141	150	1.9
T3P145	145	155	1.9
T3P150	150	160	1.9
T3P151	151	160	1.9
T3P155	155	170	2.75
T3P160	160	175	2.75
T3P165	165	180	2.75
T3P170	170	185	2.75
T3P175	175	190	2.75
T3P180	180	195	2.75
T3P185	185	200	2.75
T3P190	190	205	2.75
T3P195	195	210	2.75
T3P200	200	215	2.75
T3P205	205	220	220
T3P209	209	224	224
T3P210	210	225	225
T3P215	215	230	230
T3P220	220	235	235
T3P225	225	240	240
T3P230	230	245	245
T3P235	235	250	250
T3P240	240	255	255
T3P245	245	260	260
T3P250	250	265	265
T3P255	255	270	270
T3P260	260	275	275
T3P265	265	280	280
T3P270	270	285	2.75
T3P275	275	290	2.75
T3P280	280	295	2.75
T3P285	285	300	2.75
T3P290	290	305	2.75
T3P295	295	310	2.75
T3P300	300	315	2.75
T3P305	305	320	2.75
T3P310	310	325	2.75
T3P315	315	330	2.75
T3P320	320	335	2.75
T3P330	330	345	2.75
T3P335	335	350	2.75
T3P340	340	355	2.75

Housing Dimension			
	Ød	ØD	H
T3P355	355	370	2.75
T3P360	360	375	2.75
T3P375	375	390	2.75
T3P385	385	400	2.75
T3P400	400	415	2.75
T3P405	405	420	2.75



# WEAR RING - WRK



WRK

- BRONZE COLOR
- BLACK COLOR
- WHITE COLOR
- BLUE COLOR

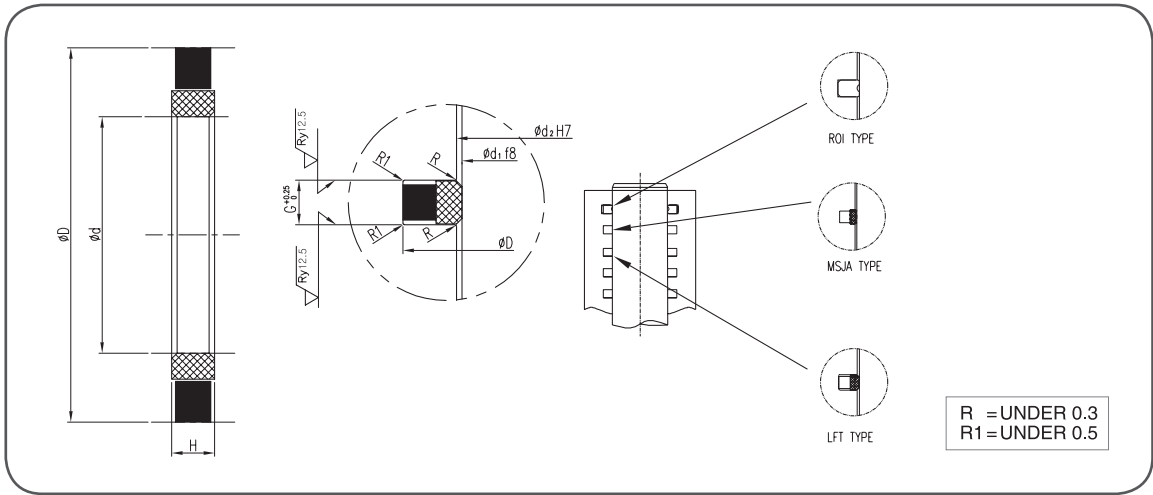




LFT

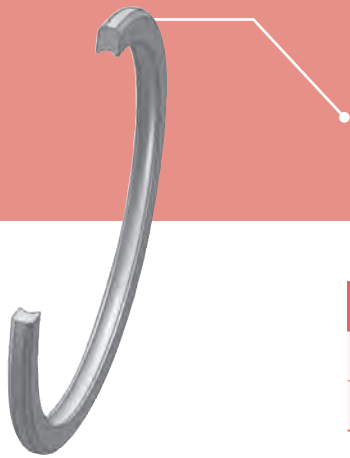
The limit of application

Temperature(°C)	0~35
Speed(m/s)	-35~95



LFT

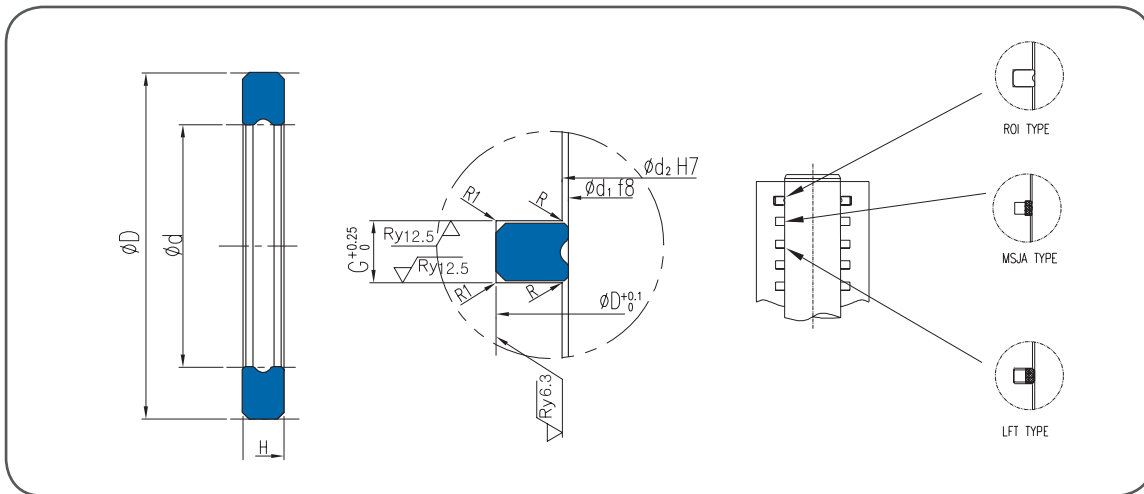
Normal size of Packing			Housing Dimension		
d	D	h	$\phi d$	$\phi D$	H
50	60	4.6	50	60	5
60	70	4.6	60	70	5
70	80	4.6	70	80	5
70	81	3.9	70	81	4.2
80	90	4.6	80	90	5
80	91	3.9	80	91	4.2
90	100	4.6	90	100	5
90	101	3.9	90	101	4.2
95	105	4.6	95	105	5
100	110	4.6	100	110	5
120	130	4.6	120	130	5
140	150	4.6	140	150	5
150	160	4.6	150	160	5



# ROI

### The limit of application

Temperature(°C)	0~15
Speed(m/s)	-30~90



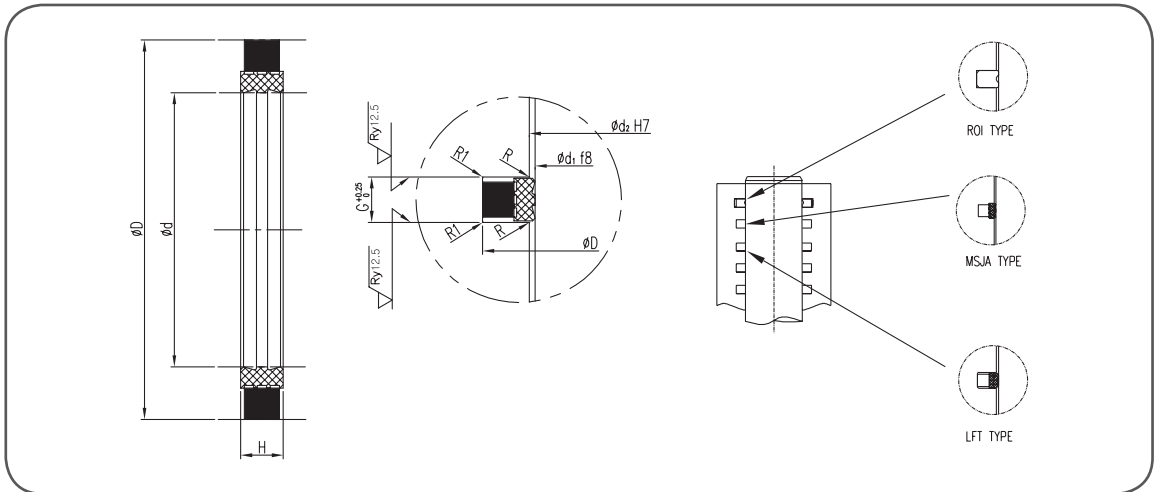
Normal size of Packing			Housing Dimension		
d	D	h	Ød	ØD	H
60	70	4.9	60	70	5
70	80	4.9	70	80	5
75	85	4.9	75	85	5
80	90	4.9	80	90	5
90	100	4.9	90	100	5
95	105	4.9	95	105	5
100	110	4.9	100	110	5
115	125	4.9	115	125	5
120	130	4.9	120	130	5
125	135	4.9	125	135	5
130	140	4.9	130	140	5
150	160	4.9	150	160	5



# MSJA

### The limit of application

Temperature(°C)	0~18
Speed(m/s)	-35~95



MSJA

Normal size of Packing			Housing Dimension		
d	D	h	$\phi d$	$\phi D$	H
50	60	4.6	50	60	5
60	70	4.6	60	70	5
70	80	4.6	70	80	5
80	90	4.6	80	90	5
90	100	4.6	90	100	5
95	105	4.6	95	105	5
100	110	4.6	100	110	5
120	130	4.6	120	130	5
170	186	8.5	170	186	9
190	206	8.5	190	206	9
200	216	8.5	200	216	9

Normal size of Packing		
	d	H
G022	22	3.1
G025	24.4	3.1
G030	29.4	3.1
G035	34.4	3.1
G040	39.4	3.1
G045	44.4	3.1
G050	49.4	3.1
G052	51.4	3.1
G055	54.4	3.1
G060	59.4	3.1
G065	64.4	3.1
G070	69.4	3.1
G075	74.4	3.1
G080	79.4	3.1
G085	84.4	3.1
G090	89.4	3.1
G095	94.4	3.1
G100	99.4	3.1
G105	104.3	3.1
G110	109.4	3.1
G115	114.4	3.1
G120	119.4	3.1
G125	124.4	3.1
G130	129.4	3.1
G135	134.4	3.1
G140	139.4	3.1
G145	144.4	3.1
G150	149.3	5.7
G155	154.3	5.7
G160	159.3	5.7
G165	164.3	5.7
G170	169.3	5.7
G175	174.3	5.7
G180	179.3	5.7
G185	184.3	5.7
G190	189.3	5.7
G195	194.3	5.7
G200	199.3	5.7
G205	204.3	5.7
G210	209.3	5.7
G215	214.3	5.7
G220	214.3	5.7
G225	224.3	5.7

Normal size of Packing		
	d	H
G230	229.3	5.7
G235	234.3	5.7
G240	239.3	5.7
G245	244.3	5.7
G250	249.3	5.7
G255	254.3	5.7
G260	259.3	5.7
G265	264.3	5.7
G270	269.3	5.7
G275	274.3	5.7
G280	279.3	5.7
G285	284.3	5.7
G290	289.3	5.7
G295	294.3	5.7
G300	299.3	5.7
G305	304.3	5.7
G310	309.3	5.7
G315	314.3	5.7
G320	319.3	5.7
G325	324.3	5.7
G330	329.3	5.7
G335	334.3	5.7
G340	339.3	5.7
G345	344.3	5.7
G350	349.3	5.7
G355	354.3	5.7
G360	359.3	5.7
G365	364.3	5.7
G370	369.3	5.7
G375	374.3	5.7
G380	379.3	5.7
G385	384.3	5.7
G390	389.3	5.7
G395	394.3	5.7
G400	399.3	5.7
G410	409.3	5.7
G420	419.3	5.7
G430	429.3	5.7
G435	434.3	5.7
G440	439.3	5.7
G445	444.3	5.7
G450	449.3	5.7
G460	459.3	5.7

Normal size of Packing		
	d	H
G470	469.3	5.7
G480	479.3	5.7
G490	489.3	5.7
G500	499.3	5.7
G505	504.3	5.7
G510	509.3	5.7
G515	514.3	5.7
G520	519.3	5.7
G525	524.3	5.7
G530	529.3	5.7
G540	539.3	5.7
G550	549.3	5.7
G560	559.3	5.7
G570	569.3	5.7
G580	579.3	5.7
G590	589.3	5.7
G600	599.3	5.7

Normal size of Packing		
	d	H
P002	1.8	1.9
P003	2.8	1.9
P004	3.8	1.9
P005	4.8	1.9
P006	5.8	1.9
P007	6.8	1.9
P008	7.8	1.9
P009	8.8	1.9
P010	9.8	1.9
P010A	9.8	2.4
P011	10.8	2.4
P011.2	11	2.4
P012	11.8	2.4
P012.5	12.3	2.4
P012.5	12.3	2.4
P013	13	2.4
P014	13.8	2.4
P015	14.8	2.4
P016	15.8	2.4
P017	16.8	2.4
P018	17.8	2.4
P019	18.8	2.4
P020	19.8	2.4
P021	20.8	2.4
P022	21.8	2.4
P022.4	22.1	3.5
P022A	21.7	3.5
P024	23.7	3.5
P025	24.7	3.5
P025.5	25.2	3.5
P026	25.7	3.5
P027	26.7	3.5
P028	27.7	3.5
P029	28.7	3.5
P029.5	29.2	3.5
P030	29.7	3.5
P031	30.7	3.5
P031.5	31.2	3.5
P032	31.7	3.5
P033	32.7	3.5
P034	33.7	3.5
P035	34.7	3.5
P035.5	35.2	3.5

Normal size of Packing		
	d	H
P036	35.7	3.5
P037	36.7	3.5
P038	37.7	3.5
P039	38.7	3.5
P040	39.7	3.5
P041	40.7	3.5
P042	41.7	3.5
P043	42.7	3.5
P044	43.7	3.5
P045	44.7	3.5
P046	45.7	3.5
P048	47.7	3.5
P048	47.6	5.7
P049	48.7	3.5
P050	49.7	3.5
P050A	49.6	5.7
P052	51.6	5.7
P053	52.6	5.7
P055	54.6	5.7
P056	55.6	5.7
P058	57.6	5.7
P060	59.6	5.7
P062	61.6	5.7
P063	62.6	5.7
P065	64.6	5.7
P067	66.6	5.7
P068	67.6	5.7
P070	69.6	5.7
P071	70.6	5.7
P075	74.6	5.7
P080	79.6	5.7
P085	84.6	5.7
P090	89.6	5.7
P095	94.6	5.7
P100	99.6	5.7
P102	101.6	5.7
P105	104.6	5.7
P110	109.6	5.7
P112	111.6	5.7
P115	114.6	5.7
P120	119.6	5.7
P125	124.6	5.7
P130	129.5	5.7

Normal size of Packing		
	d	H
P132	131.6	5.7
P135	134.6	5.7
P140	139.6	5.7
P145	144.6	5.7
P150	149.6	5.7
P150A	149.5	8.4
P155	154.5	8.4
P160	159.5	8.4
P165	164.5	8.4
P170	169.5	8.4
P175	174.5	8.4
P180	179.5	8.4
P185	184.5	8.4
P190	189.5	8.4
P195	194.5	8.4
P200	199.5	8.4
P205	204.5	8.4
P210	209.5	8.4
P215	214.5	8.4
P220	219.5	8.4
P225	224.5	8.4
P230	229.5	8.4
P235	234.5	8.4
P240	239.5	8.4
P245	244.5	8.4
P250	249.5	8.4
P255	254.5	8.4
P260	259.5	8.4
P265	264.5	8.4
P270	269.5	8.4
P275	274.5	8.4
P280	279.5	8.4
P285	284.5	8.4
P290	289.5	8.4
P295	294.5	8.4
P300	299.5	8.4
P305	304.5	8.4
P310	309.5	8.4
P315	314.5	8.4
P320	319.5	8.4
P325	324.5	8.4
P330	329.5	8.4
P335	324.5	8.4

Normal size of Packing		
	d	H
P340	339.5	8.4
P345	344.5	8.4
P350	349.5	8.4
P355	354.5	8.4
P360	359.5	8.4
P365	364.5	8.4
P370	369.5	8.4
P375	374.5	8.4
P380	379.5	8.4
P385	384.5	8.4
P390	389.5	8.4
P395	394.5	8.4
P400	399.5	8.4
P405	404.5	8.4
P410	409.5	8.4
P420	419.5	8.4
P430	429.5	8.4
P440	439.5	8.4
P450	449.5	8.4
P460	459.5	8.4
P465	464.5	8.4
P470	469.5	8.4
P480	479.5	8.4
P490	489.5	8.4
P500	499.5	8.4
P505	504.5	8.4
P510	509.5	8.4
P515	514.5	8.4
P520	519.5	8.4
P525	524.5	8.4
P530	529.5	8.4
P535	534.5	8.4
P540	539.5	8.4
P550	549.5	8.4
P560	559.5	8.4
P565	564.5	8.4
P570	569.5	8.4
P580	579.5	8.4
P590	589.5	8.4
P600	599.5	8.4

Normal size of Packing		
	d	H
S112	111.5	2
S115	114.5	2
S119.5	119	2
S120	119.5	2
S125	124.5	2
S130	129.5	2
S132	131.5	2
S135	134.5	2
S140	139.5	2
S142.5	142	2
S145	144.5	2
S145.5	145	2
S150	149.5	2
S152.5	152	2
S155	154.5	2
S160	159.5	2
S165	164.5	2
S170	169.5	2
S175	174.5	2
S180	179.5	2
S185	184.5	2
S190	189.5	2
S195	194.5	2
S197.5	197	2
S200	199.5	2
S205	204.5	2
S210	209.5	2
S215	214.5	2
S220	219.5	2
S225	224.5	2
S230	229.5	2
S235	234.5	2
S240	239.5	2
S245	244.5	2
S250	249.5	2
S255	254.5	2
S260	259.5	2
S265	264.5	2
S270	269.5	2
S275	274.5	2
S280	279.5	2
S285	284.5	2
S290	289.5	2

Normal size of Packing		
	d	H
S295	294.5	2
S300	299.5	2



Normal size of Packing		
	d	H
AAS001	0.74	1.02
AAS002	1.07	1.27
AAS003	1.42	1.52
AAS004	1.78	1.78
AAS005	2.57	1.78
AAS006	2.9	1.78
AAS007	3.68	1.78
AAS008	4.47	1.78
AAS009	5.28	1.78
AAS010	6.07	1.78
AAS011	7.65	1.78
AAS012	9.25	1.78
AAS013	10.82	1.78
AAS014	12.42	1.78
AAS015	14.	1.78
AAS016	15.6	1.78
AAS017	17.17	1.78
AAS018	18.77	1.78
AAS019	20.35	1.78
AAS020	21.95	1.78
AAS021	23.52	1.78
AAS022	25.12	1.78
AAS023	26.7	1.78
AAS024	28.3	1.78
AAS025	29.87	1.78
AAS026	31.47	1.78
AAS027	33.05	1.78
AAS028	34.65	1.78
AAS029	37.82	1.78
AAS030	41	1.78
AAS031	44.17	1.78
AAS032	47.35	1.78
AAS033	50.52	1.78
AAS034	53.7	1.78
AAS035	56.87	1.78
AAS036	60.05	1.78
AAS037	63.22	1.78
AAS038	66.4	1.78
AAS039	69.57	1.78
AAS040	72.75	1.78
AAS041	75.92	1.78
AAS042	82.27	1.78
AAS043	88.62	1.78

Normal size of Packing		
	d	H
AAS044	94.97	1.78
AAS045	101.32	1.78
AAS046	107.67	1.78
AAS047	114	2
AAS048	120.37	1.78
AAS049	126.72	1.78
AAS050	133.07	1.78
AAS102	1.24	1.78
AAS103	2.06	1.78
AAS104	2.84	2.62
AAS105	3.63	2.62
AAS106	4.42	2.62
AAS107	5.23	2.62
AAS108	6.02	2.62
AAS109	7.59	2.62
AAS110	9.19	2.62
AAS111	10.77	2.62
AAS112	12.97	2.62
AAS113	13.94	2.62
AAS114	15.54	2.62
AAS115	17.12	2.62
AAS116	18.72	2.62
AAS117	20.29	2.62
AAS118	21.89	2.62
AAS119	23.47	2.62
AAS120	25.07	2.62
AAS121	26.64	2.62
AAS122	28.24	2.62
AAS123	29.82	2.62
AAS124	31.42	2.62
AAS125	32.99	2.62
AAS126	34.58	2.62
AAS127	36.17	2.62
AAS128	37.77	2.62
AAS129	39.34	2.62
AAS130	40.94	2.62
AAS131	42.52	2.62
AAS132	44.12	2.62
AAS133	45.69	2.62
AAS134	47.29	2.62
AAS135	48.9	2.62
AAS136	50.47	2.62
AAS137	52.07	2.62

Normal size of Packing		
	d	H
AAS138	53.64	2.62
AAS139	55.24	2.62
AAS140	56.82	2.62
AAS141	58.42	2.62
AAS142	59.99	2.62
AAS143	61.6	2.62
AAS144	63.17	2.62
AAS145	64.77	2.62
AAS146	66.34	2.62
AAS147	67.94	2.62
AAS148	69.52	2.62
AAS149	71.12	2.62
AAS150	72.69	2.62
AAS151	75.87	2.62
AAS152	82.22	2.62
AAS153	88.57	2.62
AAS154	94.92	2.62
AAS155	101.27	2.62
AAS156	107.62	2.62
AAS157	113.97	2.62
AAS158	120.32	2.62
AAS159	126.67	2.62
AAS160	133.02	2.62
AAS161	139.37	2.62
AAS162	145.72	2.62
AAS163	152.07	2.62
AAS164	158.42	2.62
AAS165	164.77	2.62
AAS166	171.12	2.62
AAS167	177.47	2.62
AAS168	183.82	2.62
AAS169	190.17	2.62
AAS170	196.52	2.62
AAS171	202.87	2.62
AAS172	209.22	2.62
AAS173	215.57	2.62
AAS174	211.92	2.62
AAS175	228.27	2.62
AAS176	234.62	2.62
AAS177	240.97	2.62
AAS178	247.32	2.62
AAS201	4.34	3.53
AAS202	5.94	3.53

Normal size of Packing		
	d	H
AAS203	7.52	3.53
AAS204	9.12	3.53
AAS205	10.69	3.53
AAS206	12.29	3.53
AAS207	13.87	3.53
AAS208	15.47	3.53
AAS209	17.04	3.53
AAS210	18.64	3.53
AAS211	20.22	3.53
AAS212	21.82	3.53
AAS213	23.39	3.53
AAS214	24.99	3.53
AAS215	26.57	3.53
AAS216	28.17	3.53
AAS217	29.74	3.53
AAS218	31.34	3.53
AAS219	32.92	3.53
AAS220	34.52	3.53
AAS221	36.09	3.53
AAS222	37.69	3.53
AAS223	40.87	3.53
AAS224	44.04	3.53
AAS225	47.22	3.53
AAS226	50.39	3.53
AAS227	53.57	3.53
AAS228	56.74	3.53
AAS229	59.92	3.53
AAS230	63.09	3.53
AAS231	66.27	3.53
AAS232	69.44	3.53
AAS233	72.62	3.53
AAS234	75.79	3.53
AAS235	78.97	3.53
AAS236	82.14	3.53
AAS237	85.32	3.53
AAS238	88.49	3.53
AAS239	91.67	3.53
AAS240	94.84	3.53
AAS241	98.02	3.53
AAS242	101.19	3.53
AAS243	104.37	3.53
AAS244	107.54	3.53
AAS245	110.72	3.53

Normal size of Packing		
	d	H
AAS246	113.89	3.53
AAS247	117.07	3.53
AAS248	120.24	3.53
AAS249	123.42	3.53
AAS250	126.59	3.53
AAS251	129.77	3.53
AAS252	132.94	3.53
AAS253	136.12	3.53
AAS254	139.29	3.53
AAS255	142.47	3.53
AAS256	145.64	3.53
AAS257	148.82	3.53
AAS258	151.99	3.53
AAS259	158.34	3.53
AAS260	164.69	3.53
AAS261	171.04	3.53
AAS262	177.39	3.53
AAS263	183.74	3.53
AAS264	190.09	3.53
AAS265	196.44	3.53
AAS266	202.79	3.53
AAS267	209.14	3.53
AAS268	215.49	3.53
AAS269	221.84	3.53
AAS270	228.19	3.53
AAS271	234.54	3.53
AAS272	240.89	3.53
AAS273	247.23	3.53
AAS274	253.59	3.53
AAS275	266.29	3.53
AAS276	278.99	3.53
AAS277	291.69	3.53
AAS278	304.39	3.53
AAS279	329.79	3.53
AAS280	355.29	3.53
AAS281	380.59	3.53
AAS282	405.26	3.53
AAS283	430.66	3.53
AAS284	456.06	3.53
AAS309	10.46	5.33
AAS310	12.06	5.33
AAS311	13.64	5.33
AAS312	15.24	5.33

Normal size of Packing		
	d	H
AAS313	16.81	5.33
AAS314	18.42	5.33
AAS315	19.99	5.33
AAS316	21.59	5.33
AAS317	23.16	5.33
AAS318	24.76	5.33
AAS319	26.34	5.33
AAS320	27.94	5.33
AAS321	29.51	5.33
AAS322	31.12	5.33
AAS323	32.69	5.33
AAS324	34.29	5.33
AAS325	37.45	5.33
AAS326	40.64	5.33
AAS327	43.82	5.33
AAS328	46.99	5.33
AAS329	50.16	5.33
AAS330	53.34	5.33
AAS331	56.52	5.33
AAS332	59.69	5.33
AAS333	62.86	5.33
AAS334	66.04	5.33
AAS335	69.22	5.33
AAS336	72.39	5.33
AAS337	75.56	5.33
AAS338	78.74	5.33
AAS339	81.92	5.33
AAS340	85.09	5.33
AAS341	88.26	5.33
AAS342	91.44	5.33
AAS343	94.26	5.33
AAS344	97.79	5.33
AAS345	100.96	5.33
AAS346	104.14	5.33
AAS347	107.32	5.33
AAS348	110.49	5.33
AAS349	113.66	5.33
AAS350	116.84	5.33
AAS351	120.02	5.33
AAS352	123.19	5.33
AAS353	126.36	5.33
AAS354	129.54	5.33
AAS355	132.72	5.33

Normal size of Packing		
	d	H
AAS356	135.89	5.33
AAS357	139.07	5.33
AAS358	142.24	5.33
AAS359	145.42	5.33
AAS360	148.59	5.33
AAS361	151.77	5.33
AAS362	158.12	5.33
AAS363	164.47	5.33
AAS364	170.82	5.33
AAS365	177.17	5.33
AAS366	183.52	5.33
AAS367	189.87	5.33
AAS368	196.22	5.33
AAS369	202.57	5.33
AAS370	208.92	5.33
AAS371	215.27	5.33
AAS372	221.62	5.33
AAS373	227.96	5.33
AAS374	234.32	5.33
AAS375	240.67	5.33
AAS376	247.67	5.33
AAS377	253.37	5.33
AAS378	266.07	5.33
AAS379	278.77	5.33
AAS380	291.47	5.33
AAS381	304.17	5.33
AAS382	329.57	5.33
AAS383	354.97	5.33
AAS384	380.37	5.33
AAS385	405.26	5.33
AAS386	430.65	5.33
AAS387	456.06	5.33
AAS388	481.46	5.33
AAS389	506.86	5.33
AAS390	532.26	5.33
AAS391	557.66	5.33
AAS392	582.68	5.33
AAS393	608.08	5.33
AAS394	633.50	5.33
AAS395	658.88	5.33
AAS425	113.66	6.98
AAS426	116.84	6.98
AAS427	120.02	6.98

Normal size of Packing		
	d	H
AAS428	123.19	6.98
AAS429	126.39	6.98
AAS430	129.54	6.98
AAS431	132.72	6.98
AAS432	135.89	6.98
AAS433	139.07	6.98
AAS434	142.24	6.98
AAS435	145.42	6.98
AAS436	148.59	6.98
AAS437	151.77	6.98
AAS438	158.12	6.98
AAS439	164.47	6.98
AAS440	170.82	6.98
AAS441	177.17	6.98
AAS442	183.52	6.98
AAS443	189.87	6.98
AAS444	196.22	6.98
AAS445	202.57	6.98
AAS446	215.27	6.98
AAS447	227.97	6.98
AAS448	240.67	6.98
AAS449	250.37	6.98
AAS450	266.07	6.98
AAS451	278.77	6.98
AAS452	291.47	6.98
AAS453	304.17	6.98
AAS454	316.87	6.98
AAS455	329.57	6.98
AAS456	342.27	6.98
AAS457	354.97	6.98
AAS458	367.67	6.98
AAS459	380.37	6.98
AAS460	393.07	6.98
AAS461	405.26	6.98
AAS462	417.96	6.98
AAS463	430.66	6.98
AAS464	443.36	6.98
AAS465	456.06	6.98
AAS466	468.76	6.98
AAS467	481.46	6.98
AAS468	494.16	6.98
AAS469	506.87	6.98
AAS470	532.26	6.98

Normal size of Packing		
	d	H
AAS471	557.66	6.98
AAS472	582.68	6.98
AAS473	608.08	6.98
AAS474	633.48	6.98
AAS475	658.88	6.98
AAS901	4.7	1.42
AAS902	6.07	1.63
AAS903	7.64	1.63
AAS904	8.92	1.83
AAS905	10.52	1.83
AAS906	11.89	1.98
AAS907	13.46	1.98
AAS908	16.36	2.21
AAS909	17.93	2.46
AAS910	19.18	2.46
AAS911	21.92	2.95
AAS912	23.47	2.95
AAS913	25.04	2.95
AAS914	26.59	2.95
AAS916	29.74	2.95
AAS918	34.42	2.95
AAS920	37.46	3
AAS924	43.69	3
AAS928	53.09	3
AAS932	59.36	3



FLANGE SEAL Z-1500



V/RING



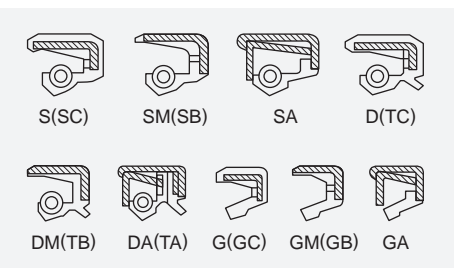
MINIY PACKING-UPNW



SVY (12\*23.8\*2)



MUNI PACKING



OIL SEAL



OTHERS



T +82-70-4006-8121  
F +82-70-8240-3614  
E [hoeun100@hotmail.com](mailto:hoeun100@hotmail.com)  
W [www.khs-korea.co.kr](http://www.khs-korea.co.kr)